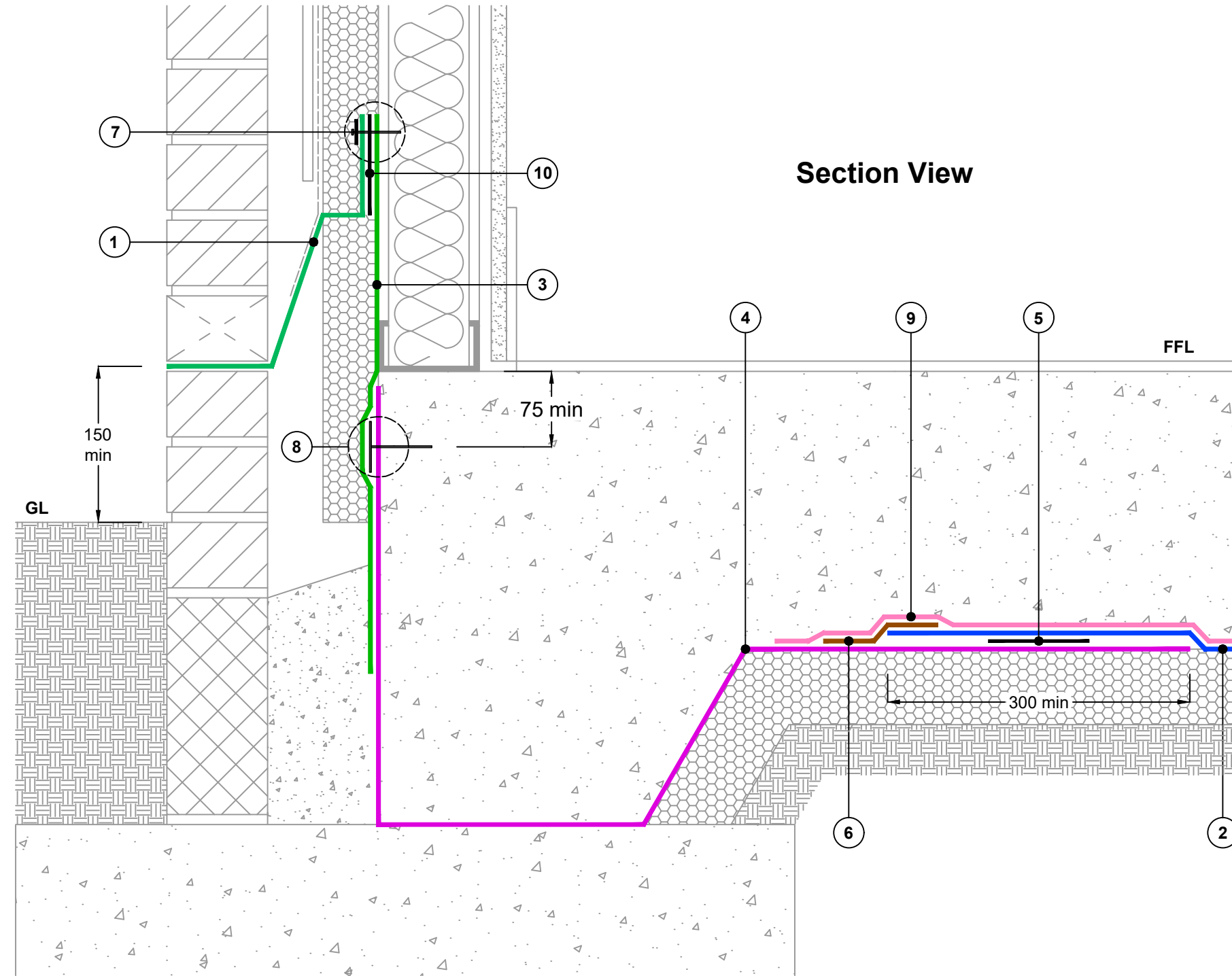
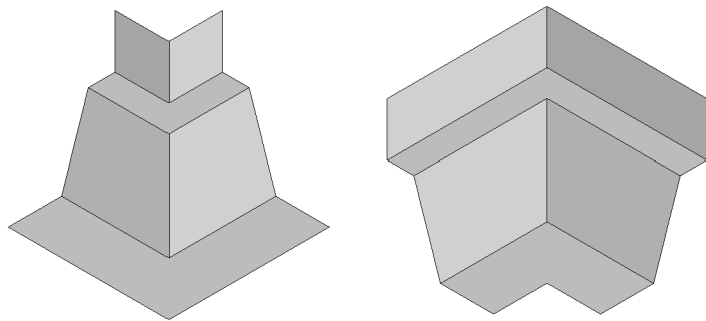


Key to materials:

1	Visqueen Ultimate Gas Damp Proof Course
2	Visqueen Gas Barrier
3	Visqueen Gas Resistant Self Adhesive Membrane on Visqueen HP Tanking Primer
4	Visqueen Ultimate Geoseal
5	Visqueen Ultimate Double Sided Jointing Tape
6	Visqueen GR Lap Tape
7	Visqueen Zedex DPC Surface Fixing System
8	Visqueen Ultimate Retaining Discs at 400mm centres
9	Visqueen TreadGUARD 1500
10	Visqueen Zedex Jointing Tape
A	PFU-503 Preformed Units at corners



CRITICAL GUIDANCE NOTES

Visqueen Guidance Details are for illustration purposes only. It is the lead designer's responsibility to ensure Guidance Details are incorporated correctly into construction drawings.

Visqueen take no project design liability, or responsibility for the use of Guidance Details. Visqueen have no control over the situation in which the products are installed. Visqueen provide a Contract Design Service where project specific drawings can be produced. Contact Visqueen Technical Services for further information.

Site construction sequencing should be assessed before the appropriate Guidance Detail is selected and approved by the lead designer.

All Visqueen materials must be installed in strict accordance with the Visqueen Product Datasheets and applicable third party certificates.

DPCs and DPC cavity trays to be installed in accordance with BS 8215:1991, PD 6697:2019 and BS 8000-3:2020.

Radon protection in accordance with national building regulations and BR211:2023.

Ground gas protection in accordance with BS 8485:2015 + A1:2019.

Further protection such as ventilation measures (not shown) may be necessary to meet the requirements of BS8485:2015+A1:2019.

Visqueen Gas Barrier can be installed with welded lap joints. Contact Visqueen Technical Services for further information.

Visqueen Preformed Units are available to assist detailing at internal and external corners. See A on key to materials.

Drawing not to scale, use figured dimensions only. All figured dimensions are in millimetres.

Guidance Detail

Date: November 2023

Drawing No: GB-29

Revision: B | Drawn by: JR

Approved by: SD


 Tel: 0333 202 6800
 enquiries@visqueen.com
 www.visqueen.com

© Copyright reserved. This drawing may not be reproduced or amended without prior written permission.



**BARRIER BELOW SLAB
CAST IN SITU RC SLAB AT
EXTERNAL LIGHT GAUGE STEEL FRAME WALL**