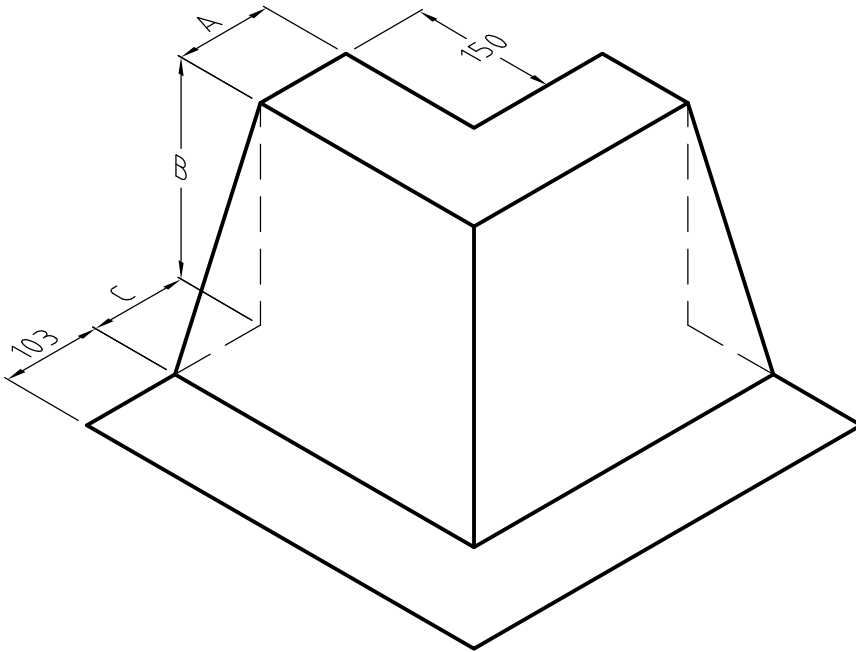
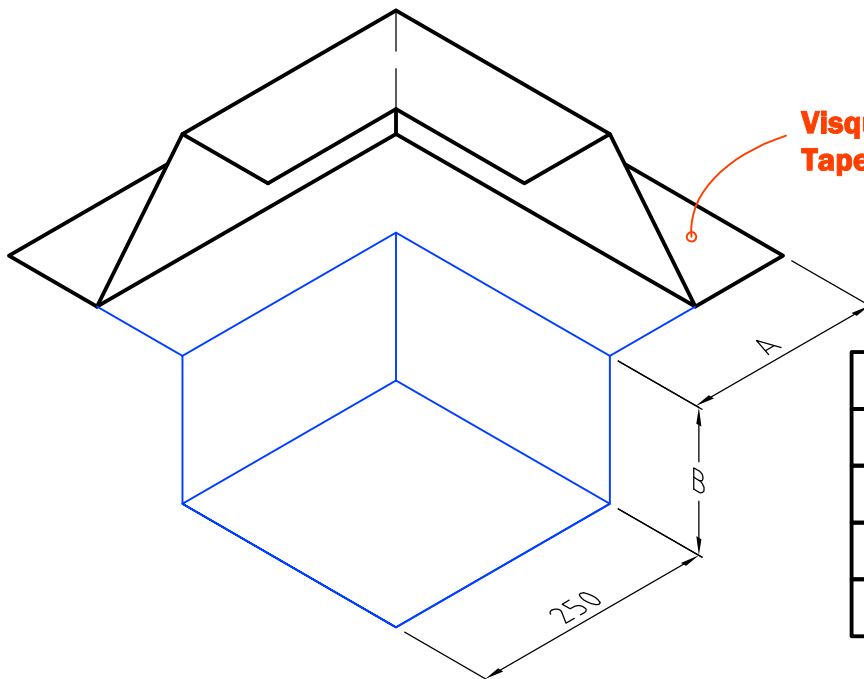


Detail Issued For Guidance Only,
Designer's Approval Required

UPPER TRAY : NON-GAS



External Corner Cloak :	
Ref : C	
A (Inner Skin)	
B (Rise)	
C (Cavity)	
Quantity	



Visqueen 50mm Jointing
Tape between outer flanges

External Corner Cloak :	
Ref : D	
A (Outer)	
B (Rise)	
Quantity	

LOWER TRAY : GAS RESISTANT

NB; DO NOT SCALE - USE FIGURED DIMENSIONS ONLY.

Zedex	
Ultimate	



Project: Standard Detail : Preformed Cloaks At Stepped/Staggered Corner.

Drawing No.- PFU-201.

Date.- 12/18.

Scale.- NTS.

© COPYRIGHT RESERVED.