

**CRITICAL GUIDANCE NOTES**

Visqueen Guidance Details are for illustration purposes only. It is the lead designer's responsibility to ensure Guidance Details are incorporated correctly into construction drawings.

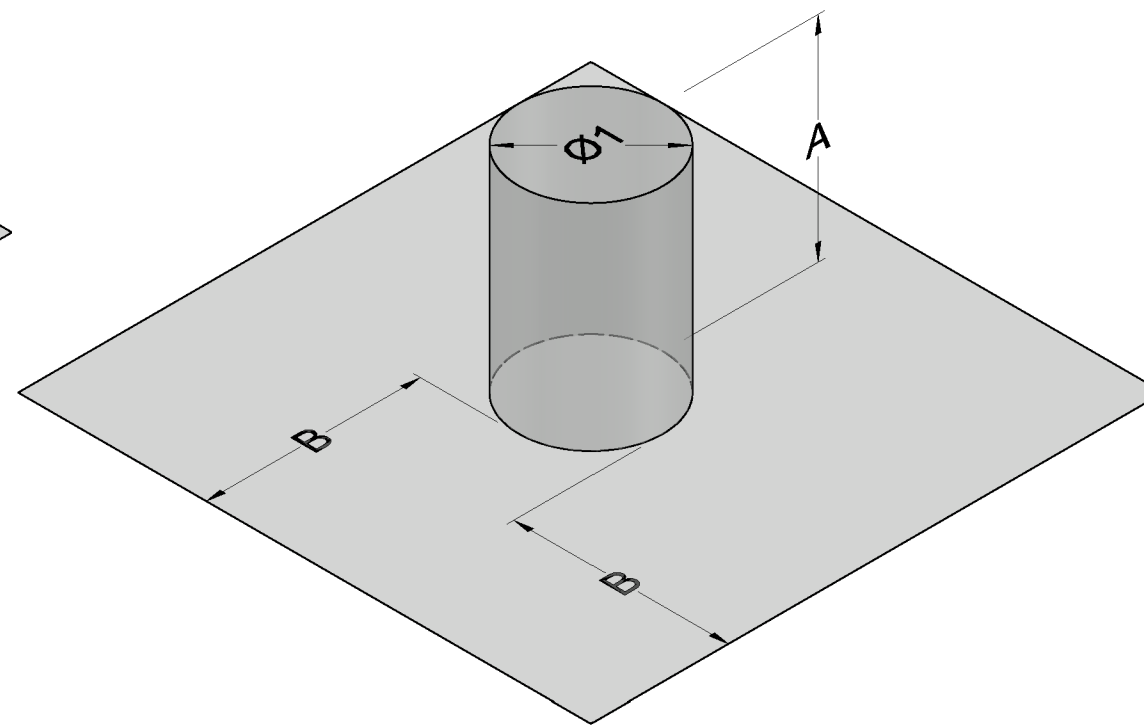
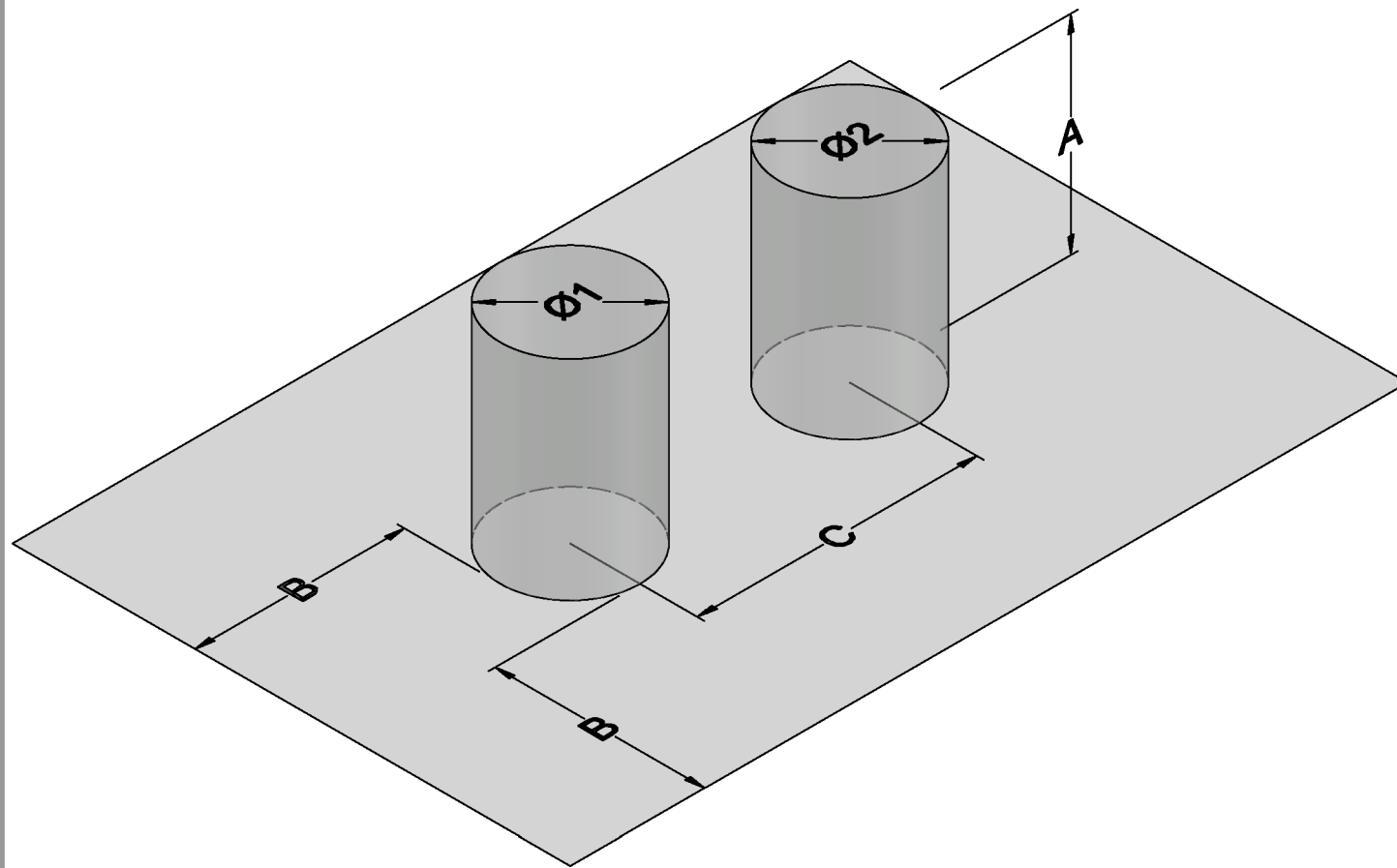
Visqueen take no project design liability, or responsibility for the use of Guidance Details. Visqueen have no control over the situation in which the products are installed. Visqueen provide a Contract Design Service where project specific drawings can be produced. Contact Visqueen Technical Services for further information.

Site construction sequencing should be assessed before the appropriate Guidance Detail is selected and approved by the lead designer.

All Visqueen materials must be installed in strict accordance with the Visqueen Product Datasheets and applicable third party certificates.

DPCs and DPC cavity trays to be installed in accordance with BS 8215:1991, PD 6697:2019 and BS 8000-3:2020.

Drawing not to scale, use figured dimensions only. All figured dimensions are in millimetres.



<b>Double Pipe Sleeve</b>	
<b>Unit Ref:</b>	
<b>Diameter Ø1</b>	
<b>Diameter Ø2</b>	
<b>A</b>	
<b>B</b>	
<b>C</b>	
<b>Quantity</b>	

<b>Zedex Units</b>	
<b>Ultimate Units</b>	

<b>Single Pipe Sleeve</b>	
<b>Unit Ref:</b>	
<b>Diameter Ø1</b>	
<b>A</b>	
<b>B</b>	
<b>Quantity</b>	

**Guidance Detail**

Date: September 2023

Drawing No: PFU-203

Revision: B

Drawn by: JR

Approved by: SD


 Tel: 0333 202 6800  
 enquiries@visqueen.com  
 www.visqueen.com

© Copyright reserved. This drawing may not be reproduced or amended without prior written permission.



**PREFORMED PIPE SLEEVES**