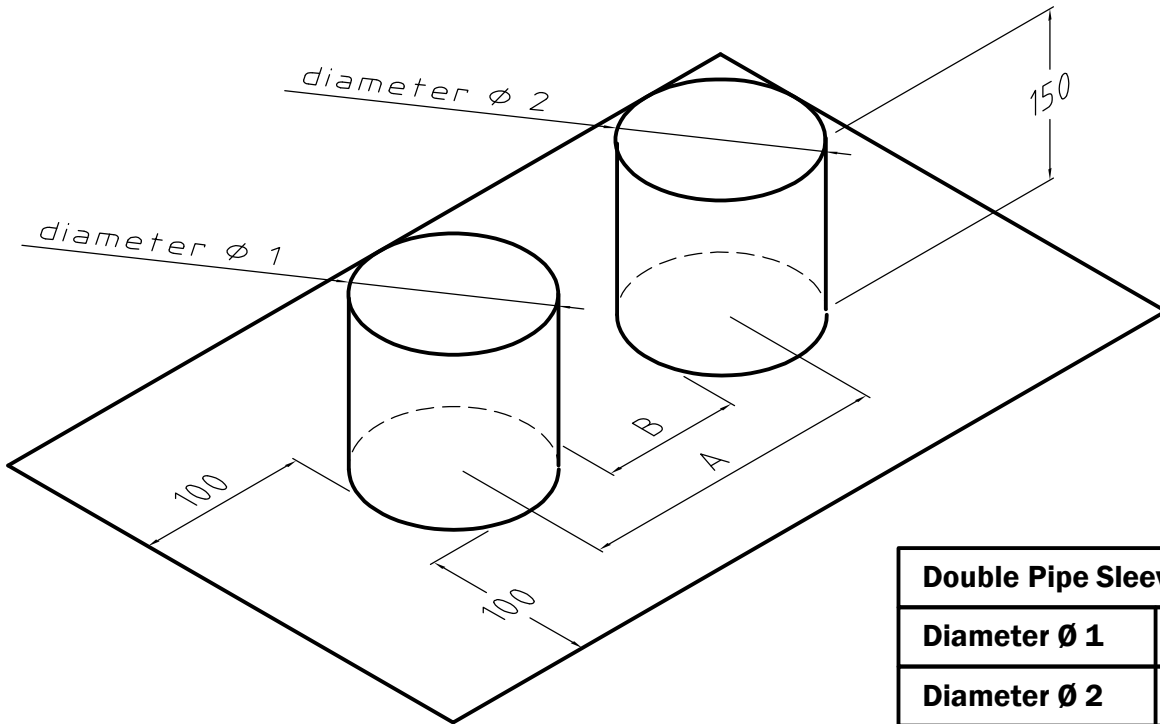
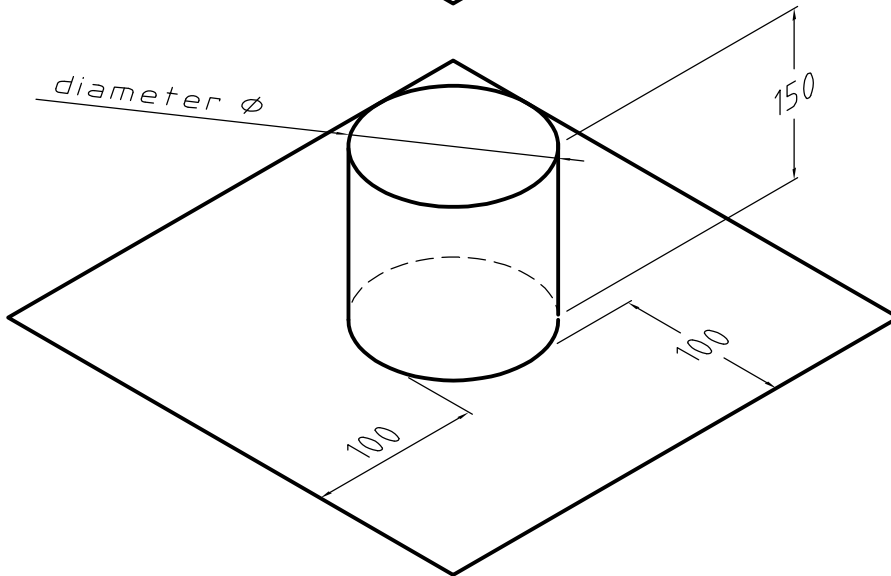


**Detail Issued For Guidance Only,  
Designer's Approval Required**



| <b>Double Pipe Sleeve :</b> |  |
|-----------------------------|--|
| <b>Diameter Ø 1</b>         |  |
| <b>Diameter Ø 2</b>         |  |
| <b>A</b>                    |  |
| <b>B</b>                    |  |
| <b>Quantity</b>             |  |



| <b>Single Pipe Sleeve :</b> |  |
|-----------------------------|--|
| <b>Diameter Ø</b>           |  |
| <b>Quantity</b>             |  |

|                 |  |
|-----------------|--|
| <b>Rigid</b>    |  |
| <b>Zedex</b>    |  |
| <b>Ultimate</b> |  |

**NB; DO NOT SCALE - USE FIGURED DIMENSIONS ONLY.**



**Visqueen**  
**Contact Technical Support :**  
 t : 0333 202 6800  
 f : 0333 202 6886  
 e : enquiries@visqueen.com  
 www.visqueen.com

**Project: Standard Detail : Preformed Pipe Sleeves.**

**Drawing No.- PFU-203.**

**Date.- 12/18.**

**Scale.- NTS.**

**© COPYRIGHT RESERVED.**