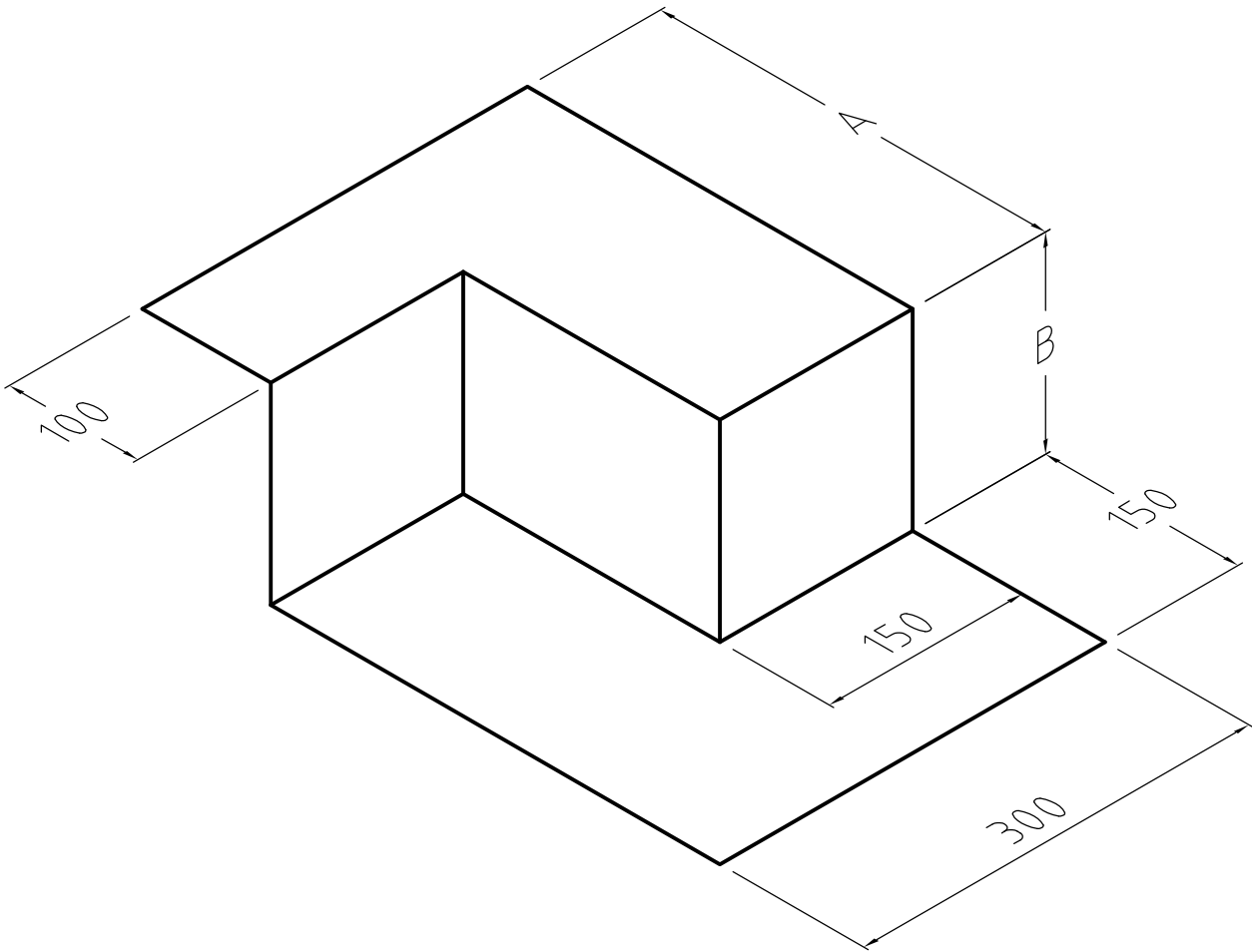


**Detail Issued For Guidance Only,
Designer's Approval Required**



**Level Threshold Cloak :
As drawn & handed units required**

A	
B	
As Drawn Quantity	
Handed Quantity	

Zedex	
Ultimate	

NB; DO NOT SCALE - USE FIGURED DIMENSIONS ONLY.



Visqueen
Contact Technical Support :
 t : 0333 202 6800
 f : 0333 202 6886
 e : enquiries@visqueen.com
 www.visqueen.com

Project: Standard Detail : Typical Level Threshold Cloak.

Drawing No.- PFU-206.

Date.- 12/18.

Scale.- NTS.

© COPYRIGHT RESERVED.