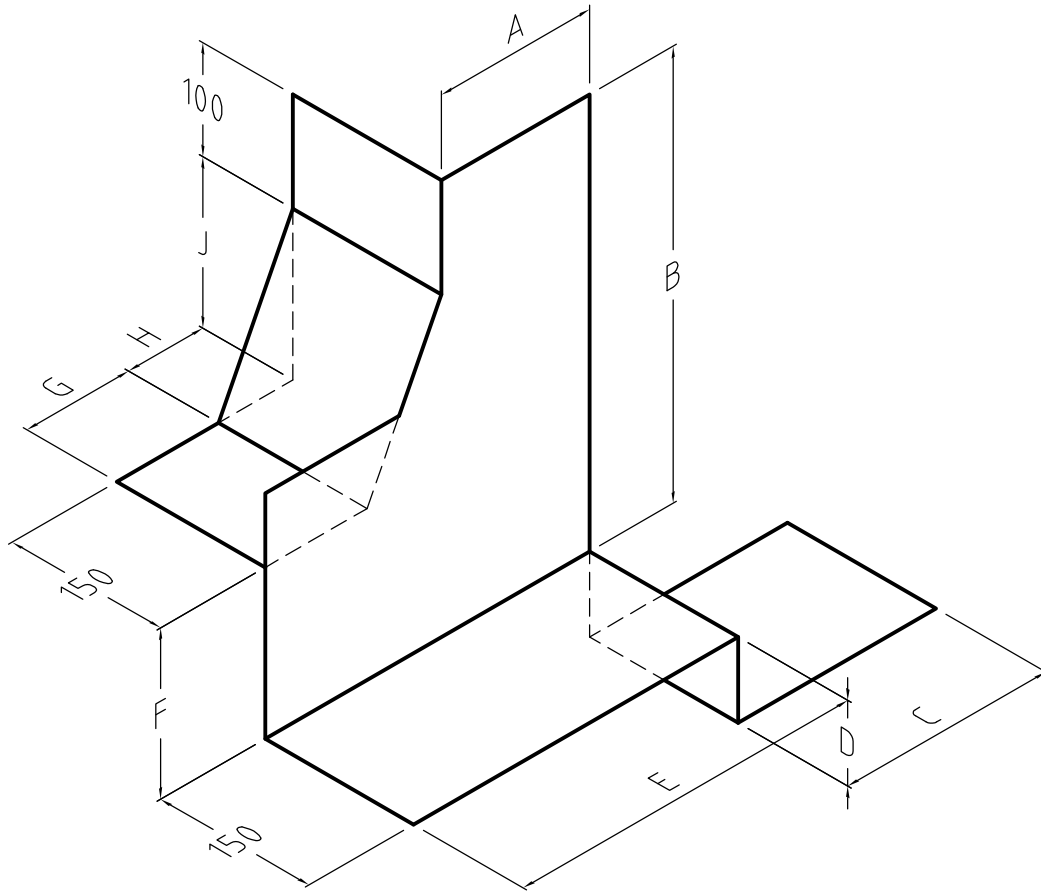


**Detail Issued For Guidance Only,
Designer's Approval Required**



Door Closer Cloak :	E	
A	F	
B	G	
C	H	
D	J	

As Drawn Quantity	
Handed Quantity	

Zedex	
Ultimate	

NB; DO NOT SCALE - USE FIGURED DIMENSIONS ONLY.



Visqueen
Contact Technical Support :
t : 0333 202 6800
f : 0333 202 6886
e : enquiries@visqueen.com
www.visqueen.com

Project: Standard Detail : Preformed Door Closer Cloak.

Drawing No.- PFU-213.	Date.- 12/18.	Scale.- NTS.	© COPYRIGHT RESERVED.
------------------------------	----------------------	---------------------	------------------------------