

**Detail Issued For Guidance Only,
Designer's Approval Required**

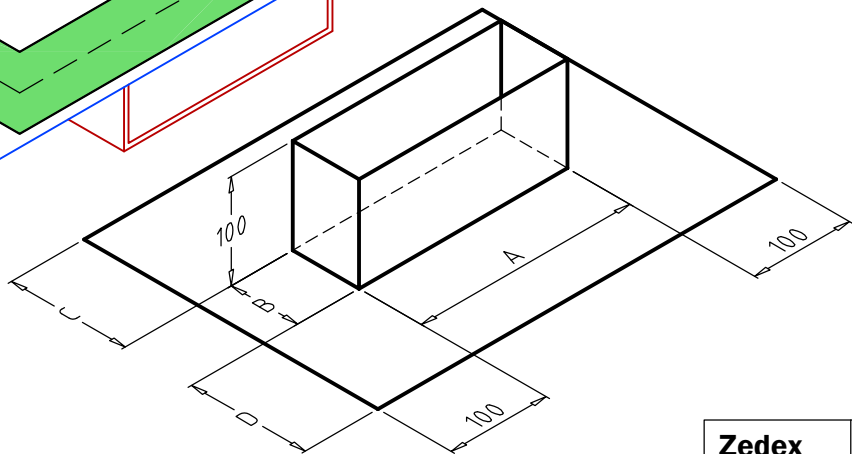
Visqueen Z Vent

Visqueen Preformed Cloak

Visqueen gas DPC

Visqueen GR Lap Tape

Z Vent Cloak :	
A	
B	
C	
D	
Quantity	



Zedex	
Ultimate	

NB; DO NOT SCALE - USE FIGURED DIMENSIONS ONLY.



Visqueen
Contact Technical Support :
 t : 0333 202 6800
 f : 0333 202 6886
 e : enquiries@visqueen.com
 www.visqueen.com

Project: Standard Detail : Preformed Z Vent Cloak.

Drawing No.- PFU-214.

Date.- 12/18.

Scale.- NTS.

© COPYRIGHT RESERVED.