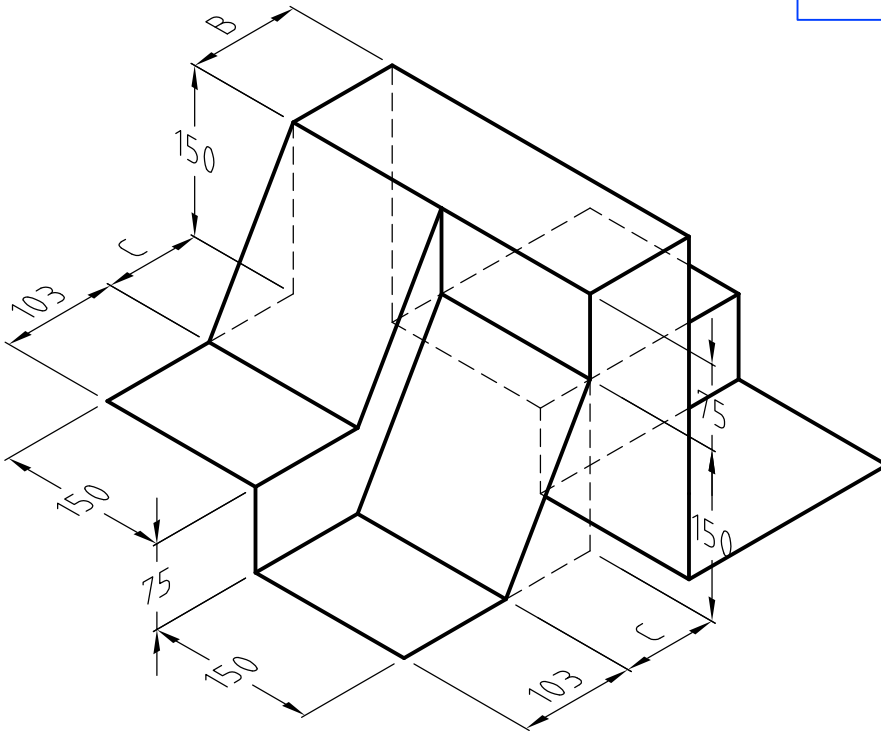
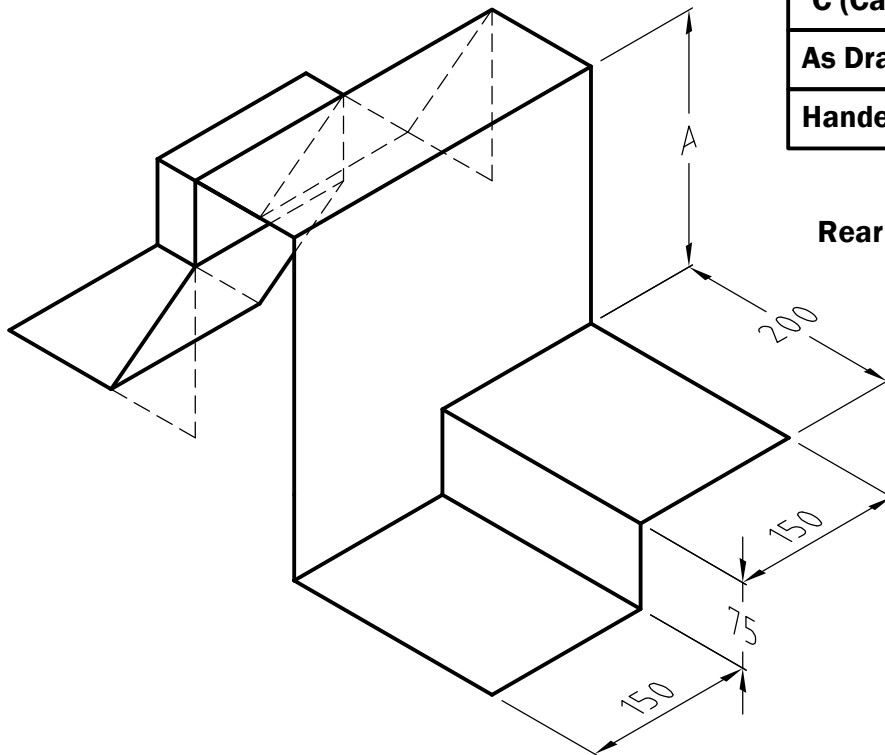


**Detail Issued For Guidance Only,  
Designer's Approval Required**



Step Cloak (Stepped Floor) :	
A (Rise)	
B (Inner)	
C (Cavity)	
As Drawn Quantity	
Handed Quantity	



**Rear View of Cloak**

Zedex	
Ultimate	

**NB; DO NOT SCALE - USE FIGURED DIMENSIONS ONLY.**



**Visqueen**  
 Contact Technical Support :  
 t : 0333 202 6800  
 f : 0333 202 6886  
 e : enquiries@visqueen.com  
 www.visqueen.com

**Project: Standard Detail : Suspended Slab - Typical Gas Protection Detail - Preformed Step Cloak.**

**Drawing No.- PFU-216.**

**Date.- 12/18.**

**Scale.- NTS.**

**© COPYRIGHT RESERVED.**