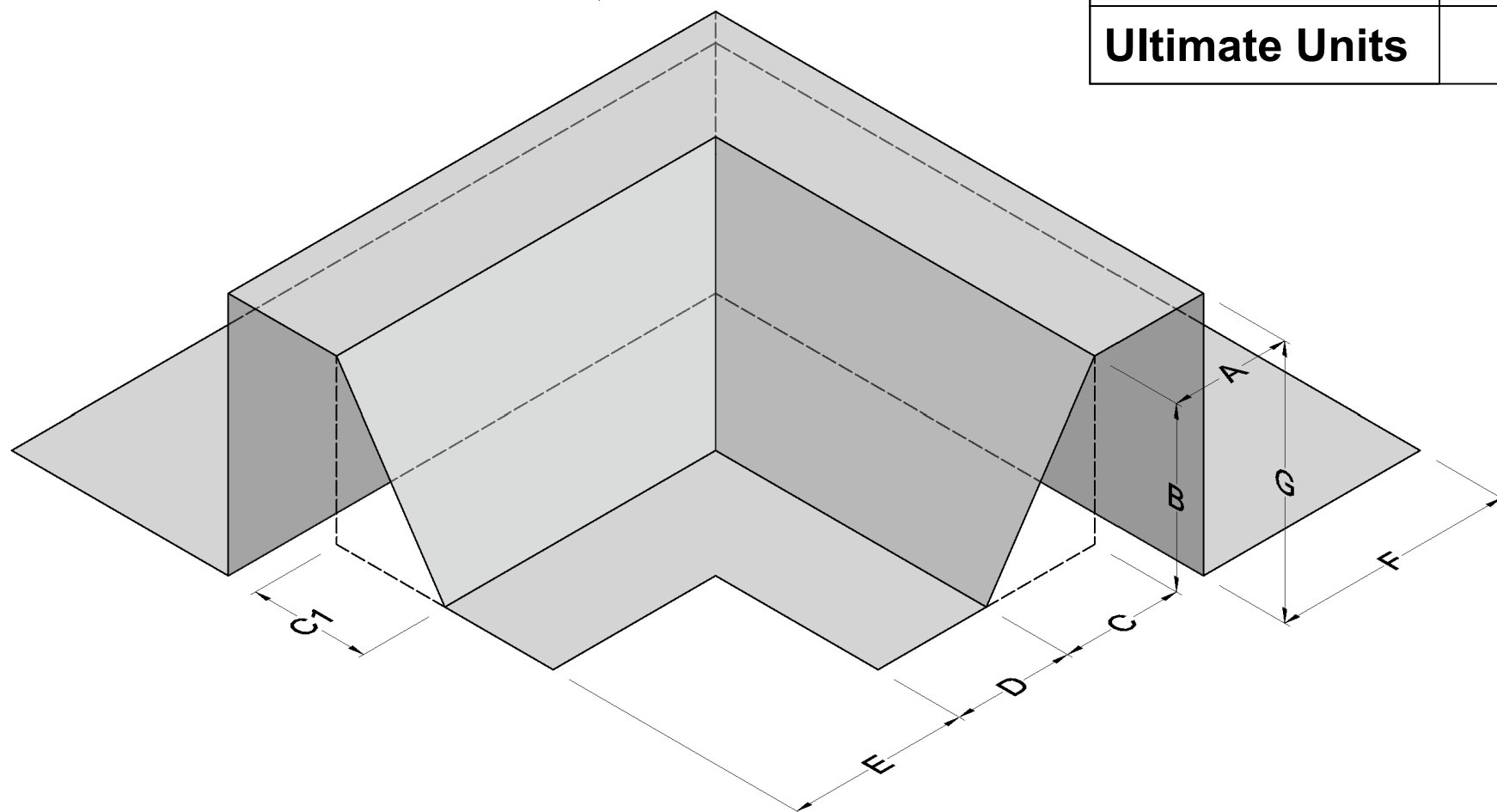


Zedex Units	
Ultimate Units	



Unit Ref:	
A	
B	
C	
C1	
D	
E	
F	
G	
Quantity	

Unit Ref:	
A	
B	
C	
C1	
D	
E	
F	
G	
Quantity	

Visqueen Standard Details provide generic guidance only and designer's approval is required. These should not be used as construction drawings. It is the designer's responsibility to develop final details suitable for individual buildings.

Site construction sequencing should be assessed before the appropriate Visqueen Standard Detail is selected and approved by the designer.

All Visqueen materials must be installed in strict accordance with the Visqueen product datasheets and applicable 3rd party certificates.

DPCs and DPC cavity trays to be installed in accordance with BS 8215:1991, PD 6697:2019 and BS 8000-3:2020.

Drawing not to scale, use figured dimensions only. All figured dimensions are in millimetres.

### Standard Detail



[www.visqueen.com](http://www.visqueen.com)

Date: Aug 2023

Drawing No: PFU-217

Revision: A

Drawn by: JR

Approved by: SD

Tel: 0333 202 6800  
enquiries@visqueen.com

© Copyright reserved.



**PREFORMED SLOPED CORNER UNITS  
BUILT IN CAVITY TRAY WITH FLOOR  
MEMBRANE EXTENSION**