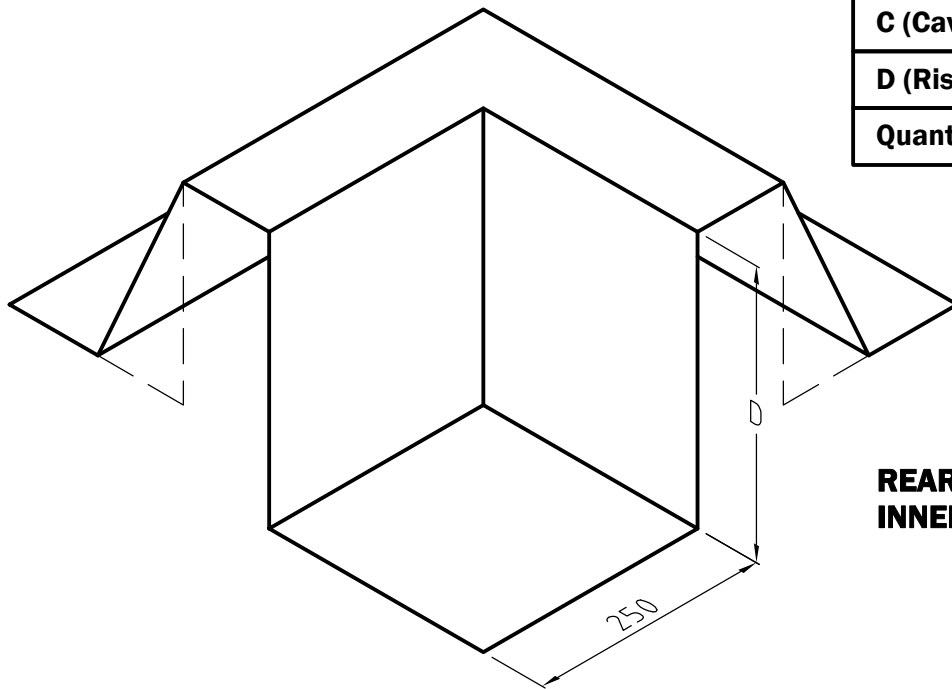
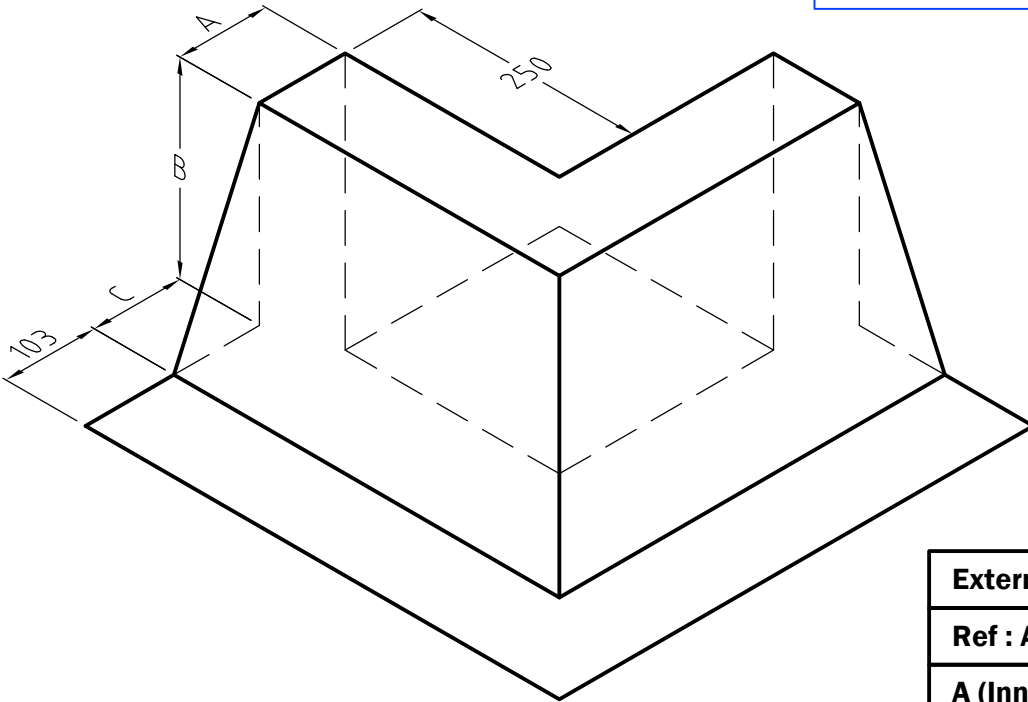


Detail Issued For Guidance Only,
Designer's Approval Required



External Corner Cloak :

Ref : A

A (Inner Skin)

B (Rise 1)

C (Cavity)

D (Rise 2)

Quantity

**REAR VIEW SHOWING
INNER FLANGE**

Zedex

Ultimate

NB; DO NOT SCALE - USE FIGURED DIMENSIONS ONLY.

VISQUEEN

**PREFORMED
UNIT**

Visqueen

Contact Technical Support :

t : 0333 202 6800

f : 0333 202 6886

e : enquiries@visqueen.com

www.visqueen.com

Project: Standard Detail : Preformed Cloaks At Stepped/Staggered Corner.

Drawing No.- PFU-218.

Date.- 12/18.

Scale.- NTS.

© COPYRIGHT
RESERVED.