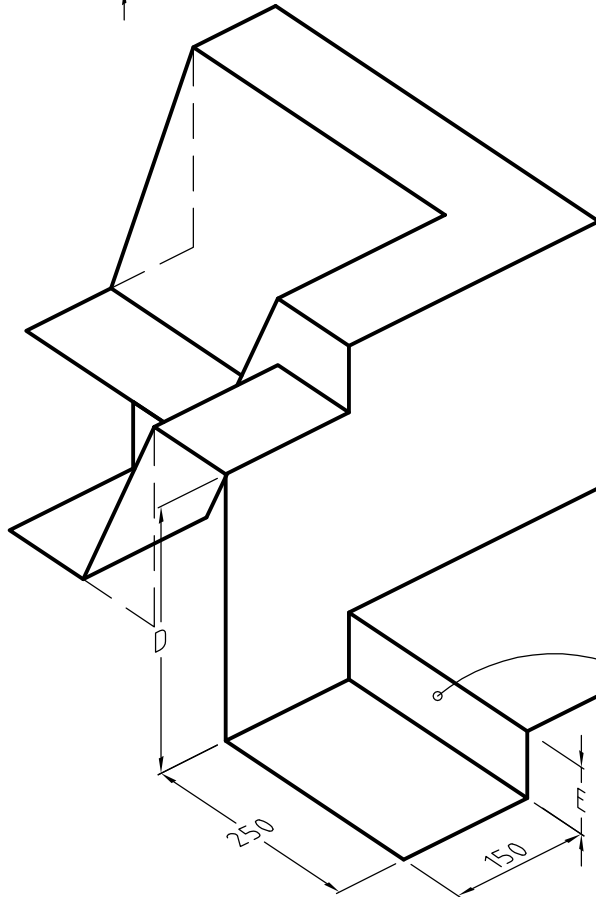
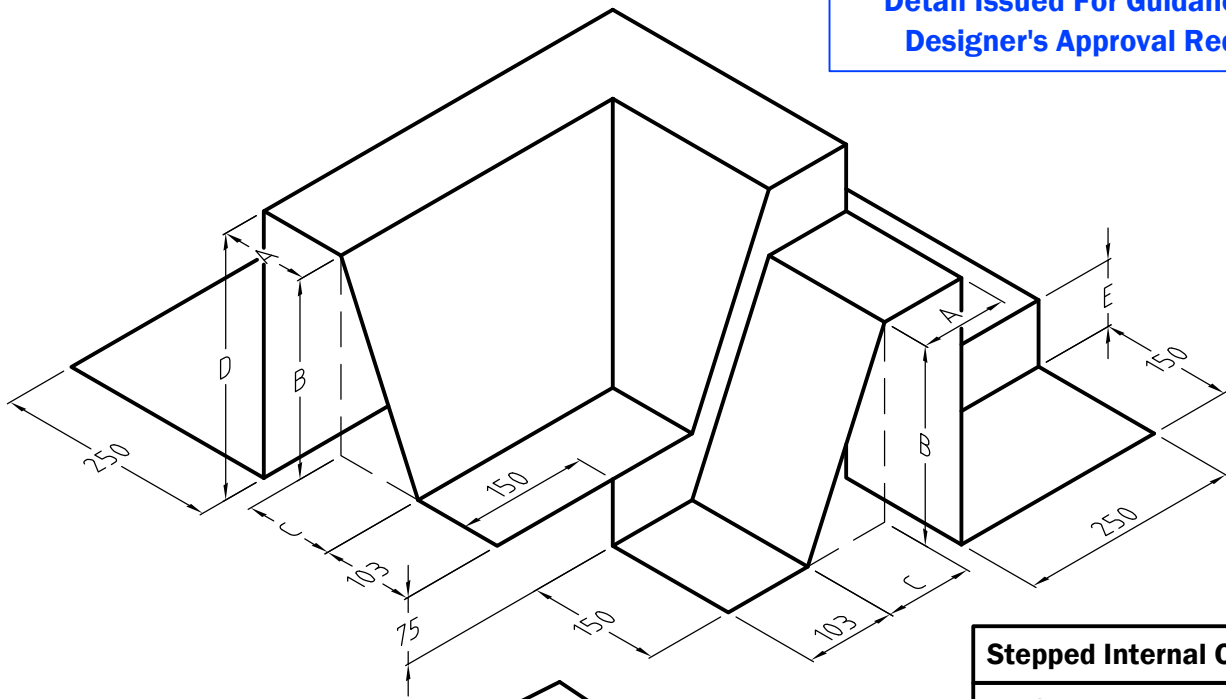


Detail Issued For Guidance Only,  
Designer's Approval Required



Stepped Internal Corner :	
Ref : B (As Drawn)	
Ref : B1 (Handed)	
A (Inner Skin)	
B (Rise 1)	
C (Cavity)	
D (Rise 2)	
E (Inner Step)	
Quantity	B / B1

REAR VIEW SHOWING  
STEPPED INNER FLANGE

Zedex	
Ultimate	

NB; DO NOT SCALE - USE FIGURED DIMENSIONS ONLY.



Visqueen  
Contact Technical Support :  
t : 0333 202 6800  
f : 0333 202 6886  
e : enquiries@visqueen.com  
www.visqueen.com

Project: Standard Detail : Preformed Cloaks At Stepped/Staggered Corner.

Drawing No.- PFU-220.

Date.- 12/18.

Scale.- NTS.

© COPYRIGHT  
RESERVED.