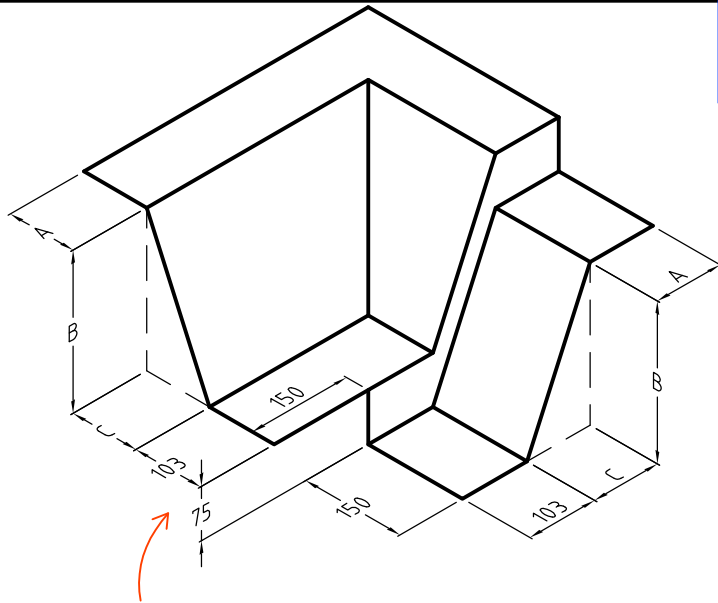
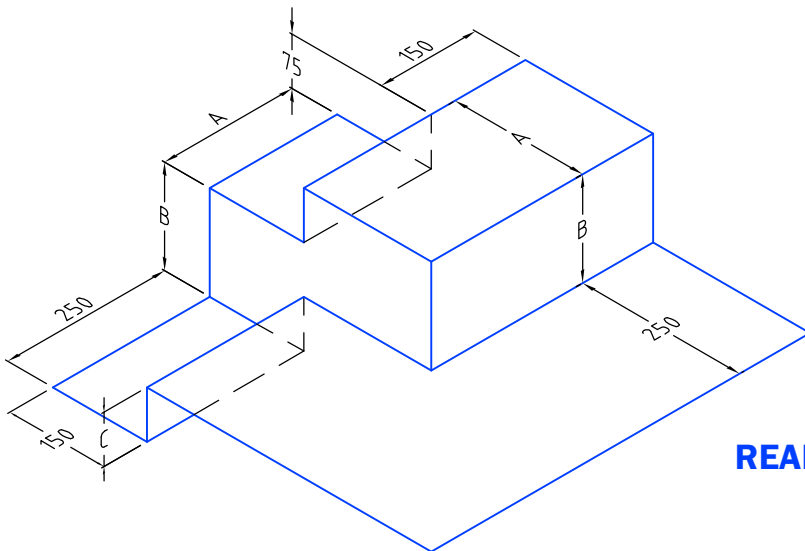
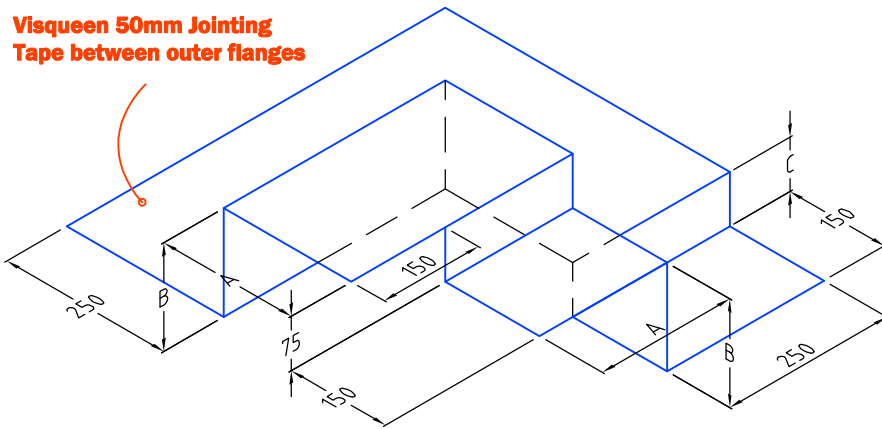


Detail Issued For Guidance Only,
Designer's Approval Required



Visqueen 50mm Jointing
Tape between outer flanges



REAR VIEW OF UNIT

UPPER TRAY : NON-GAS

Stepped Internal Corner :	
Ref : E (As Drawn)	
Ref : E1 (Handed)	
A (Inner Skin)	
B (Rise)	
C (Cavity)	
Quantity E	
Quantity E1	

**LOWER TRAY : GAS
RESISTANT**

Stepped Internal Corner :	
Ref : F (As Drawn)	
Ref : F1 (Handed)	
A (Outer)	
B (Rise)	
C (Inner Step)	
Quantity F	
Quantity F1	

NB; DO NOT SCALE - USE FIGURED DIMENSIONS ONLY.

Zedex	
Ultimate	



Visqueen
Contact Technical Support :
t : 0333 202 6800
f : 0333 202 6886
e : enquiries@visqueen.com
www.visqueen.com

Project: Standard Detail : Prefomed Cloaks At Stepped/Staggered Corner.

Drawing No.- PFU-221.

Date.- 12/18.

Scale.- NTS.

© COPYRIGHT
RESERVED.