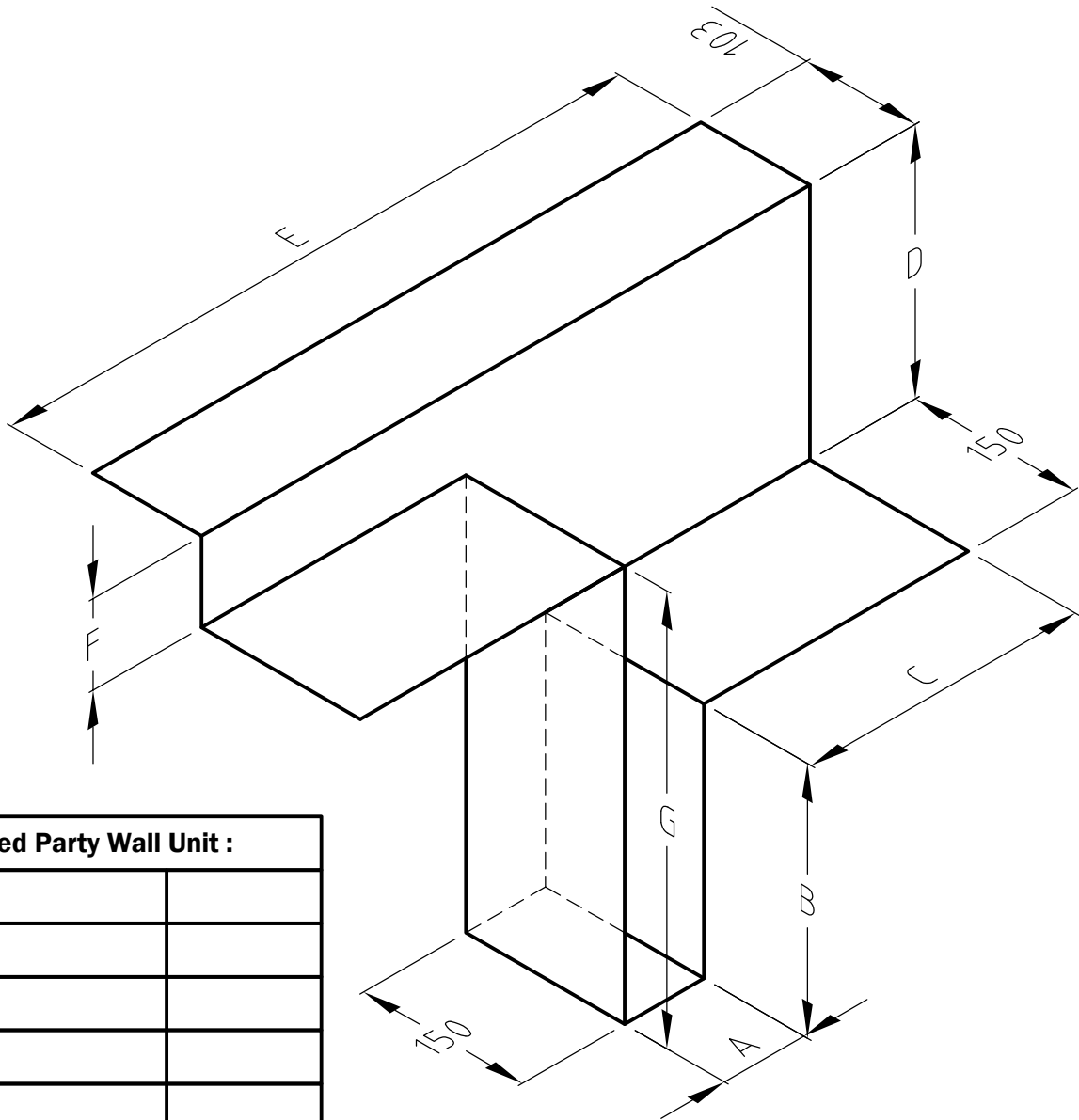


**Detail Issued For Guidance Only,
Designer's Approval Required**



Stepped Party Wall Unit :	
A	
B	
C	
D	
E	
F	
G	
As Drawn Quantity	
Handed Quantity	

Zedex	
Ultimate	

NB; DO NOT SCALE - USE FIGURED DIMENSIONS ONLY.



Visqueen
 Contact Technical Support :
 t : 0333 202 6800
 f : 0333 202 6886
 e : enquiries@visqueen.com
 www.visqueen.com

Project: Standard Detail : Internal Cavity Wall : Preformed Cavity Tray Unit.

Drawing No.- PFU-224.	Date.- 12/18.	Scale.- NTS.	© COPYRIGHT RESERVED.
-----------------------	---------------	--------------	-----------------------