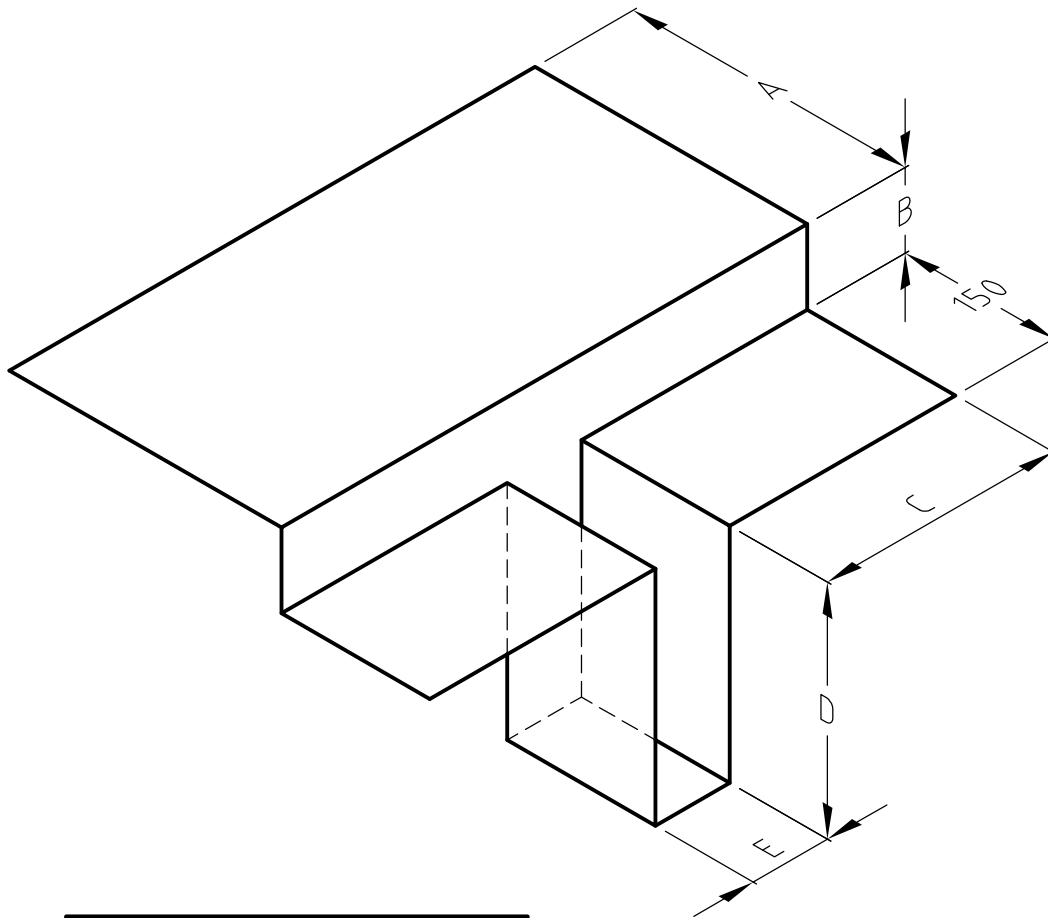


**Detail Issued For Guidance Only,
Designer's Approval Required**



Party Wall Stop End :	
A (External wall)	
B (Step)	
C (Int.wall + 150mm lap)	
D (Rise)	
E (Cavity)	
Quantity	

Zedex	
Ultimate	

NB; DO NOT SCALE - USE FIGURED DIMENSIONS ONLY.



Visqueen
Contact Technical Support :
 t : 0333 202 6800
 f : 0333 202 6886
 e : enquiries@visqueen.com
 www.visqueen.com

Project: Standard Detail : Internal Cavity Wall : Preformed Cavity Tray Unit.

Drawing No.- PFU-225.

Date.- 12/18.

Scale.- NTS.

© COPYRIGHT RESERVED.