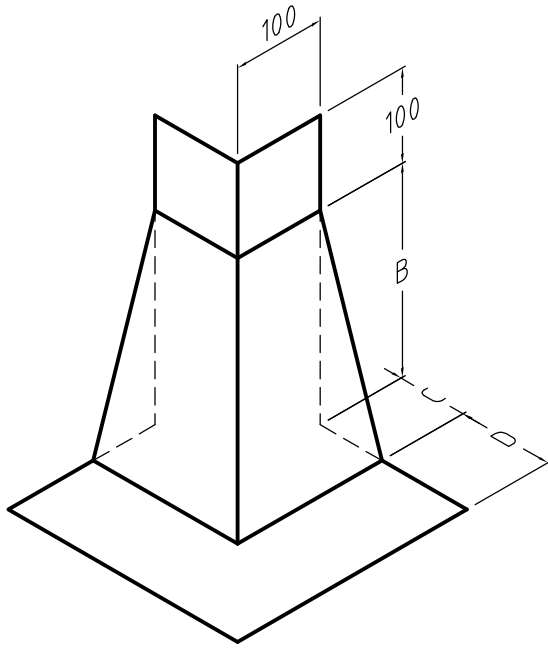
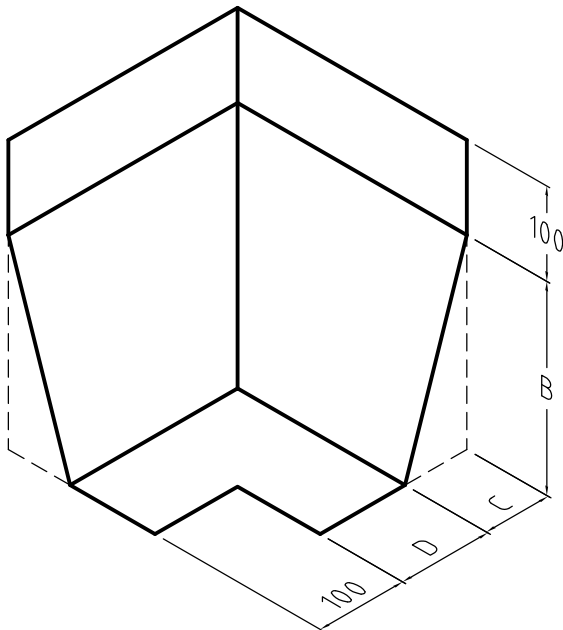


**Detail Issued For Guidance Only,  
Designer's Approval Required**



<b>External Corner Cloak :</b>	
<b>B (Rise)</b>	
<b>C (Cavity)</b>	
<b>D (Outer)</b>	
<b>Angle</b>	
<b>Quantity</b>	



<b>Internal Corner Cloak :</b>	
<b>B (Rise)</b>	
<b>C (Cavity)</b>	
<b>D (Outer)</b>	
<b>Angle</b>	
<b>Quantity</b>	

<b>Zedex</b>	
<b>Ultimate</b>	

**NB; DO NOT SCALE - USE FIGURED DIMENSIONS ONLY.**



**Visqueen**  
**Contact Technical Support :**  
 t : 0333 202 6800  
 f : 0333 202 6886  
 e : enquiries@visqueen.com  
 www.visqueen.com

**Project: Standard Detail : Preformed Corner Cloaks.**

**Drawing No.- PFU-502.**

**Date.- 12/18.**

**Scale.- NTS.**

**© COPYRIGHT RESERVED.**