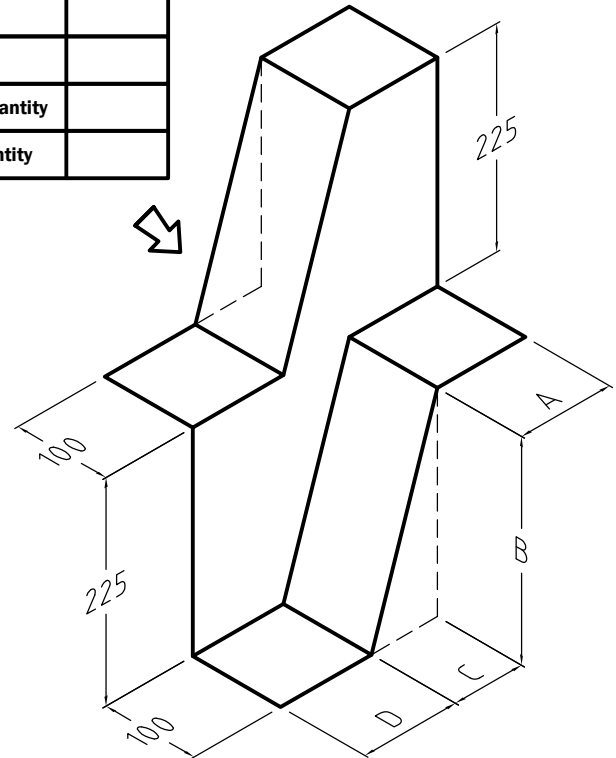
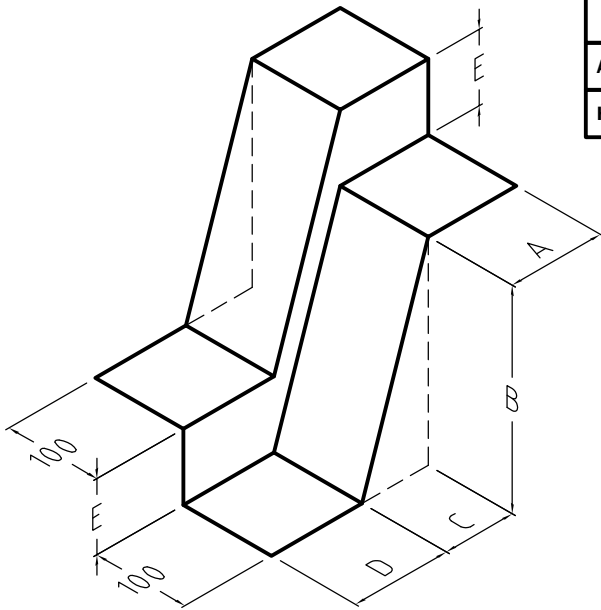
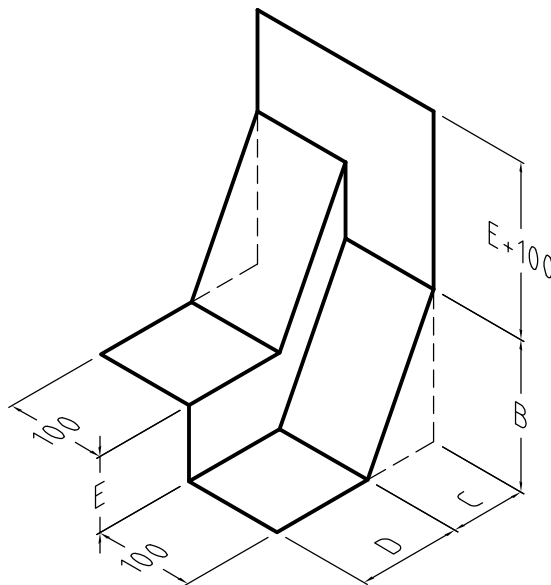


**Detail Issued For Guidance Only,  
Designer's Approval Required**

Change of Level Cloak :	
A (Inner)	
B (Rise)	
C (Cavity)	
D (Outer)	
As Drawn Quantity	
Handed Quantity	



Change of Level Cloak :	
A (Inner)	
B (Rise)	
C (Cavity)	
D (Outer)	
E (Step)	
As Drawn Quantity	
Handed Quantity	



Change of Level Cloak :	
B (Rise)	
C (Cavity)	
D (Outer)	
E (Step)	
As Drawn Quantity	
Handed Quantity	

<b>Zedex</b>	
<b>Ultimate</b>	

**NB; DO NOT SCALE - USE FIGURED DIMENSIONS ONLY.**



**Visqueen**  
 Contact Technical Support :  
 t : 0333 202 6800  
 f : 0333 202 6886  
 e : enquiries@visqueen.com  
 www.visqueen.com

**Project: Standard Detail : Preformed Change of Level Cloaks.**

**Drawing No.- PFU-506.**

**Date.- 12/18.**

**Scale.- NTS.**

**© COPYRIGHT RESERVED.**