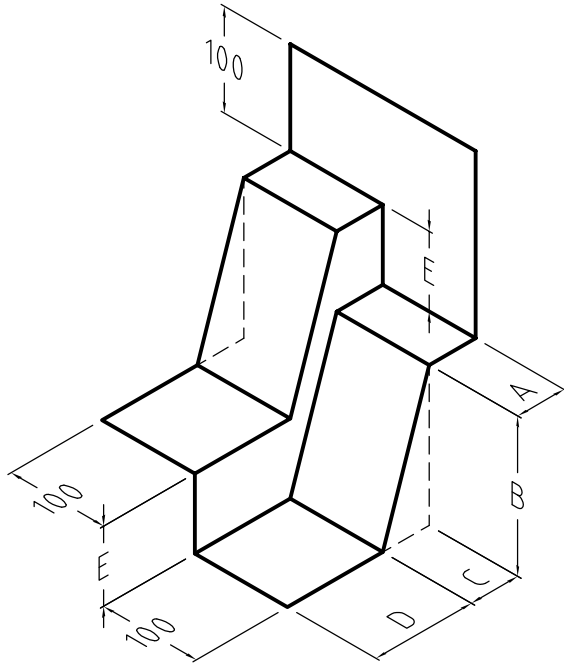
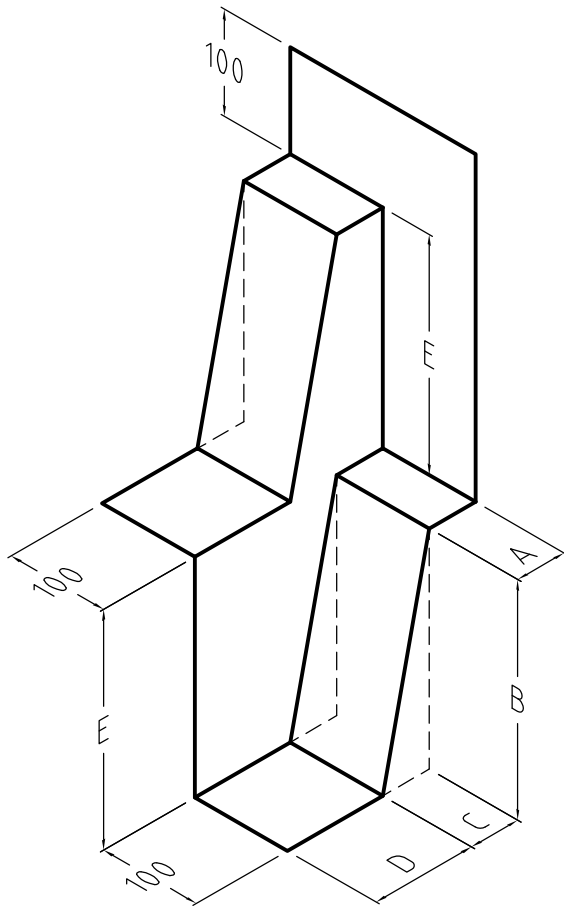


**Detail Issued For Guidance Only,
Designer's Approval Required**



Change of Level Cloak 1 :

A (Insulation)	
B (Rise)	
C (Cavity)	
D (Outer)	
E (Step)	
Quantity As	
Quantity Opp.	



Change of Level Cloak 2 :

A (Insulation)	
B (Rise)	
C (Cavity)	
D (Outer)	
E (Step)	
Quantity As	
Quantity Opp.	

NB; DO NOT SCALE - USE FIGURED DIMENSIONS ONLY.

Zedex	
Ultimate	



Visqueen
Contact Technical Support :
t : 0333 202 6800
f : 0333 202 6886
e : enquiries@visqueen.com
www.visqueen.com

Project: Standard Detail : Preformed Change of Level Cloaks.

Drawing No.- PFU-507.	Date.- 12/18.	Scale.- NTS.	© COPYRIGHT RESERVED.
------------------------------	----------------------	---------------------	------------------------------