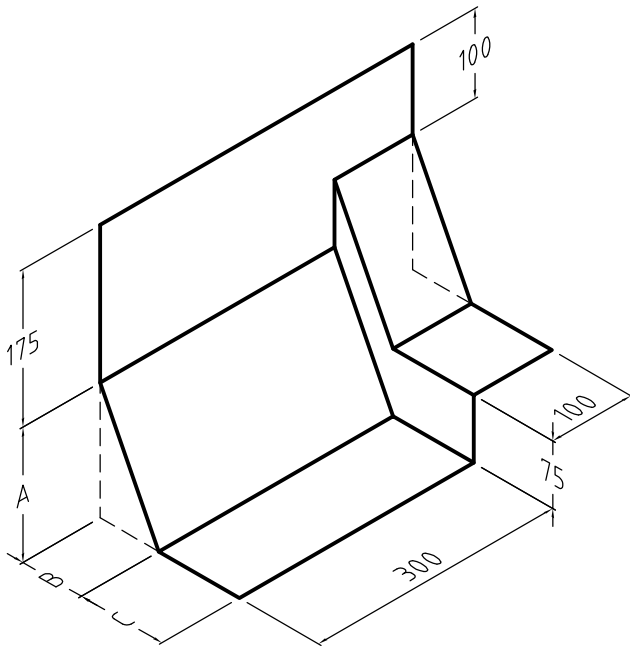
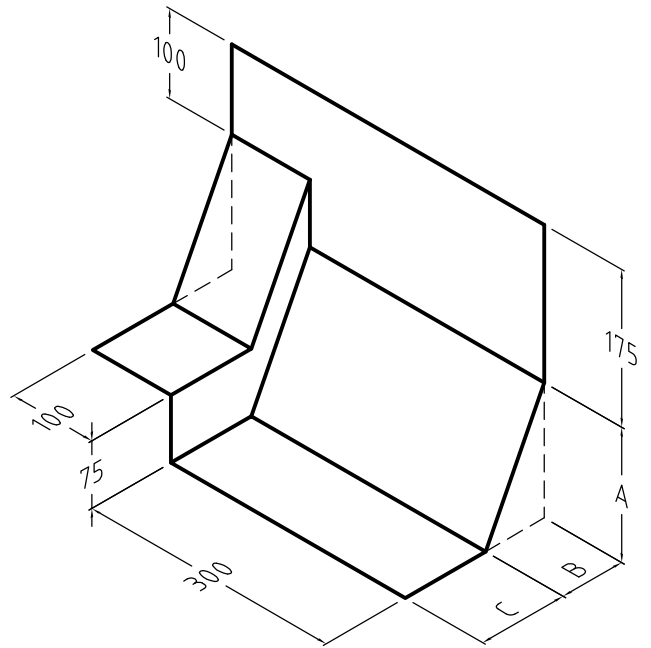


**Detail Issued For Guidance Only,
Designer's Approval Required**



AS DRAWN



HANDED

Change of Level Cloaks :	
A (Rise)	
B (Cavity)	
C (Outer)	
As Drawn Quantity	
Handed Quantity	

Zedex	
Ultimate	

NB; DO NOT SCALE - USE FIGURED DIMENSIONS ONLY.



Visqueen
Contact Technical Support :
 t : 0333 202 6800
 f : 0333 202 6886
 e : enquiries@visqueen.com
 www.visqueen.com

Project: Standard Detail : Preformed Change of Level Cloaks - Roof Abutments.

Drawing No.- PFU-508.

Date.- 12/18.

Scale.- NTS.

© COPYRIGHT RESERVED.