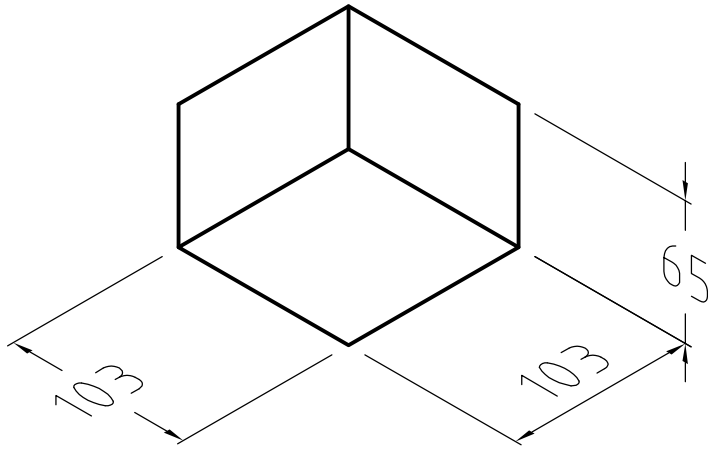
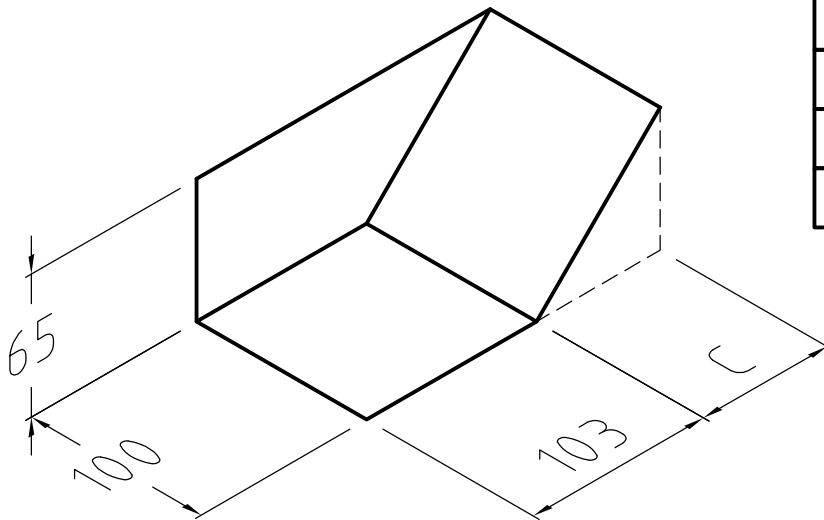


**Detail Issued For Guidance Only,
Designer's Approval Required**



Lintel Stop End :	
(Reversible)	
Quantity	



Splayed Lintel Stop End :	
C (Cavity)	
As Drawn Quantity	
Handed Quantity	

Zedex	
Ultimate	

NB; DO NOT SCALE - USE FIGURED DIMENSIONS ONLY.



Visqueen
Contact Technical Support :
 t : 0333 202 6800
 f : 0333 202 6886
 e : enquiries@visqueen.com
 www.visqueen.com

Project: Standard Detail : Preformed Lintel Stop End Cloaks.

Drawing No.- PFU-509.	Date.- 12/18.	Scale.- NTS.	© COPYRIGHT RESERVED.
------------------------------	----------------------	---------------------	------------------------------