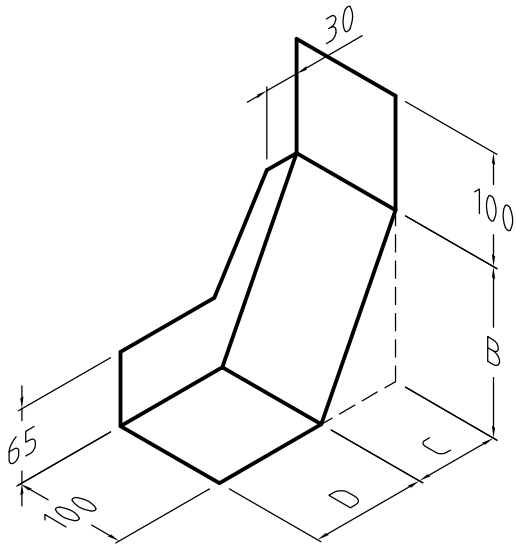
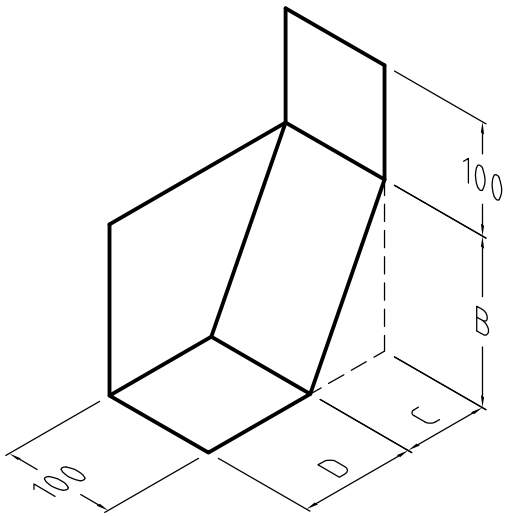


**Detail Issued For Guidance Only,
Designer's Approval Required**



Stop End :	
B (Rise)	
C (Cavity)	
D (Outer)	
As Drawn Quantity	
Handed Quantity	



Abutment Stop End :	
B (Rise)	
C (Cavity)	
D (Outer)	
As Drawn Quantity	
Handed Quantity	

Zedex	
Ultimate	

NB; DO NOT SCALE - USE FIGURED DIMENSIONS ONLY.



Visqueen
Contact Technical Support :
 t : 0333 202 6800
 f : 0333 202 6886
 e : enquiries@visqueen.com
 www.visqueen.com

Project: Standard Detail : Preformed Stop End Cloaks.

Drawing No.- PFU-511.	Date.- 12/18.	Scale.- NTS.	© COPYRIGHT RESERVED.
------------------------------	----------------------	---------------------	------------------------------