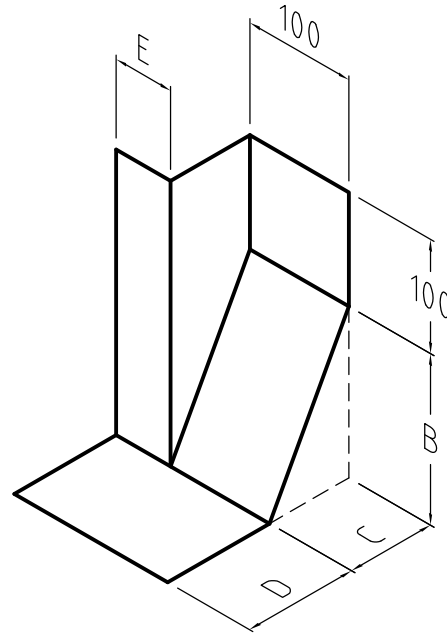
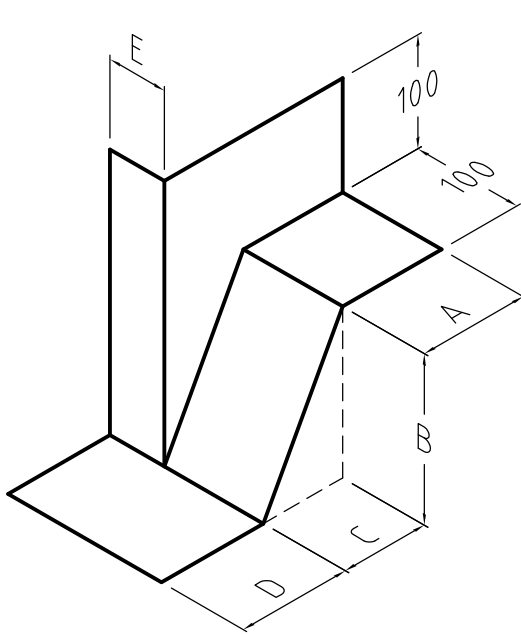
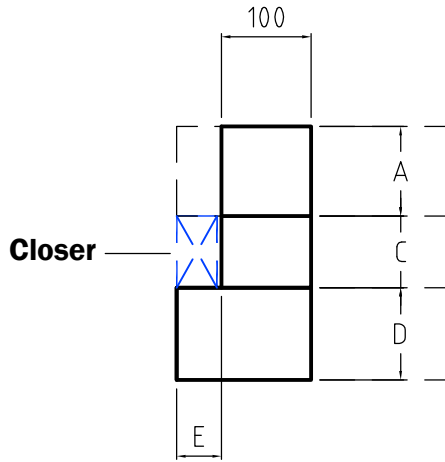


**Detail Issued For Guidance Only,
Designer's Approval Required**



Jamb Cloak :	
A (Inner)	
B (Rise)	
C (Cavity)	
D (Outer)	
E (Closer)	
As Drawn Quantity	
Handed Quantity	

Jamb Cloak :	
B (Rise)	
C (Cavity)	
D (Outer)	
E (Closer)	
As Drawn Quantity	
Handed Quantity	

Zedex	
Ultimate	

NB; DO NOT SCALE - USE FIGURED DIMENSIONS ONLY.



Visqueen
 Contact Technical Support :
 t : 0333 202 6800
 f : 0333 202 6886
 e : enquiries@visqueen.com
 www.visqueen.com

Project: Standard Detail : Preformed Jamb Cloaks.

Drawing No.- PFU-514.

Date.- 12/18.

Scale.- NTS.

© COPYRIGHT RESERVED.