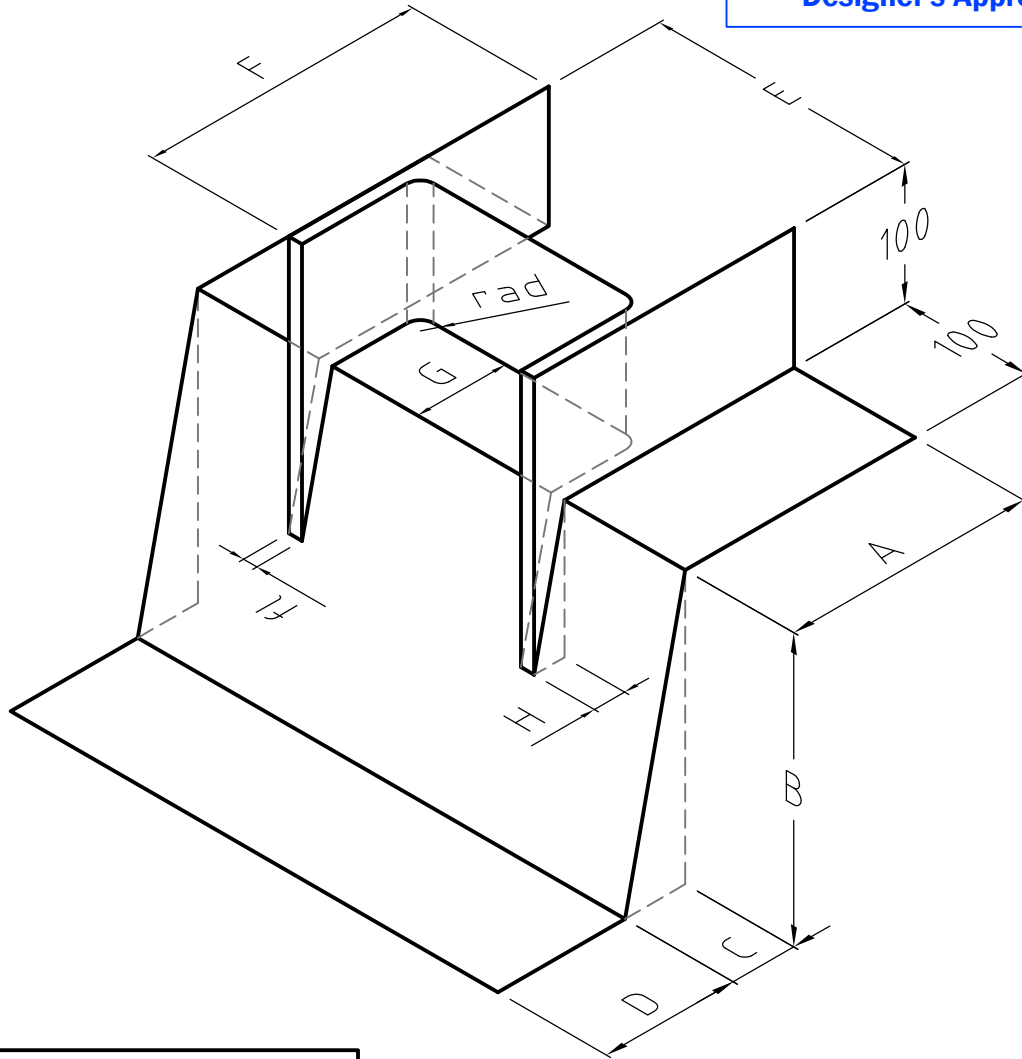


Detail Issued For Guidance Only,
Designer's Approval Required



Column Cloak :	
A	
B	
C	
D	
E	
F	

G	
H	
fl	
rad	
Quantity	

Zedex	
Ultimate	

NB; DO NOT SCALE - USE FIGURED DIMENSIONS ONLY.



Visqueen
Contact Technical Support :
t : 0333 202 6800
f : 0333 202 6886
e : enquiries@visqueen.com
www.visqueen.com

Project: Standard Detail : Preformed Web/Flange Column Cloak.

Drawing No.- PFU-521.

Date.- 12/18.

Scale.- NTS.

© COPYRIGHT RESERVED.