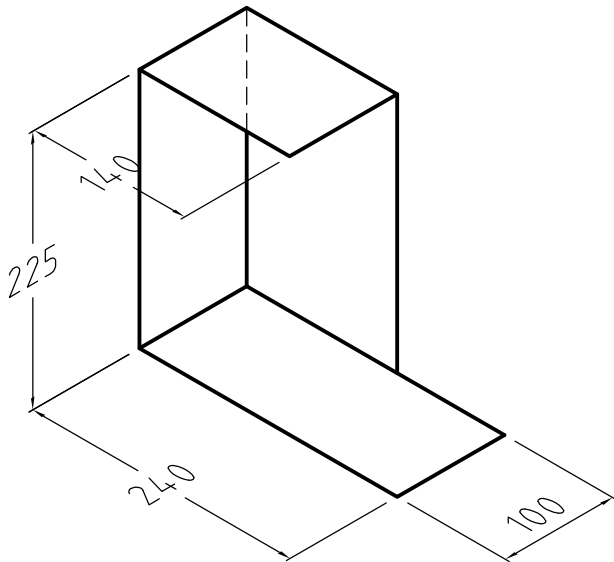


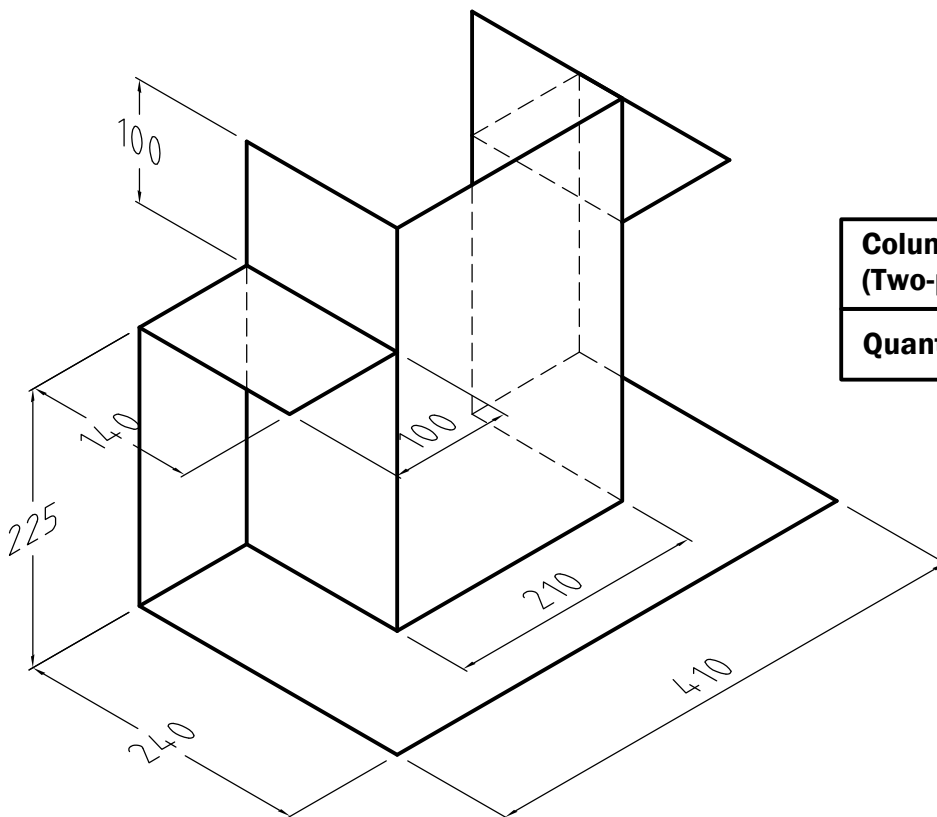
**Detail Issued For Guidance Only,  
Designer's Approval Required**



**Column Abutment Stop End :  
As drawn & handed units required**

<b>As Drawn Quantity</b>	
--------------------------	--

<b>Handed Quantity</b>	
------------------------	--



**Column Cloak :  
(Two-part Unit)**

<b>Quantity</b>	
-----------------	--

**NB ; Dimensions shown are indicative only  
& depend upon block size & column size & position.**

<b>Zedex</b>	
--------------	--

<b>Ultimate</b>	
-----------------	--

**NB; DO NOT SCALE - USE FIGURED DIMENSIONS ONLY.**



**Visqueen**

**Contact Technical Support :**

**t : 0333 202 6800**

**f : 0333 202 6886**

**e : enquiries@visqueen.com**

**www.visqueen.com**

**Project: Standard Detail : Column Cloaks : To suit tanked inner skin of blockwork.**

**Drawing No.- PFU-527.**

**Date.- 12/18.**

**Scale.- NTS.**

**© COPYRIGHT  
RESERVED.**