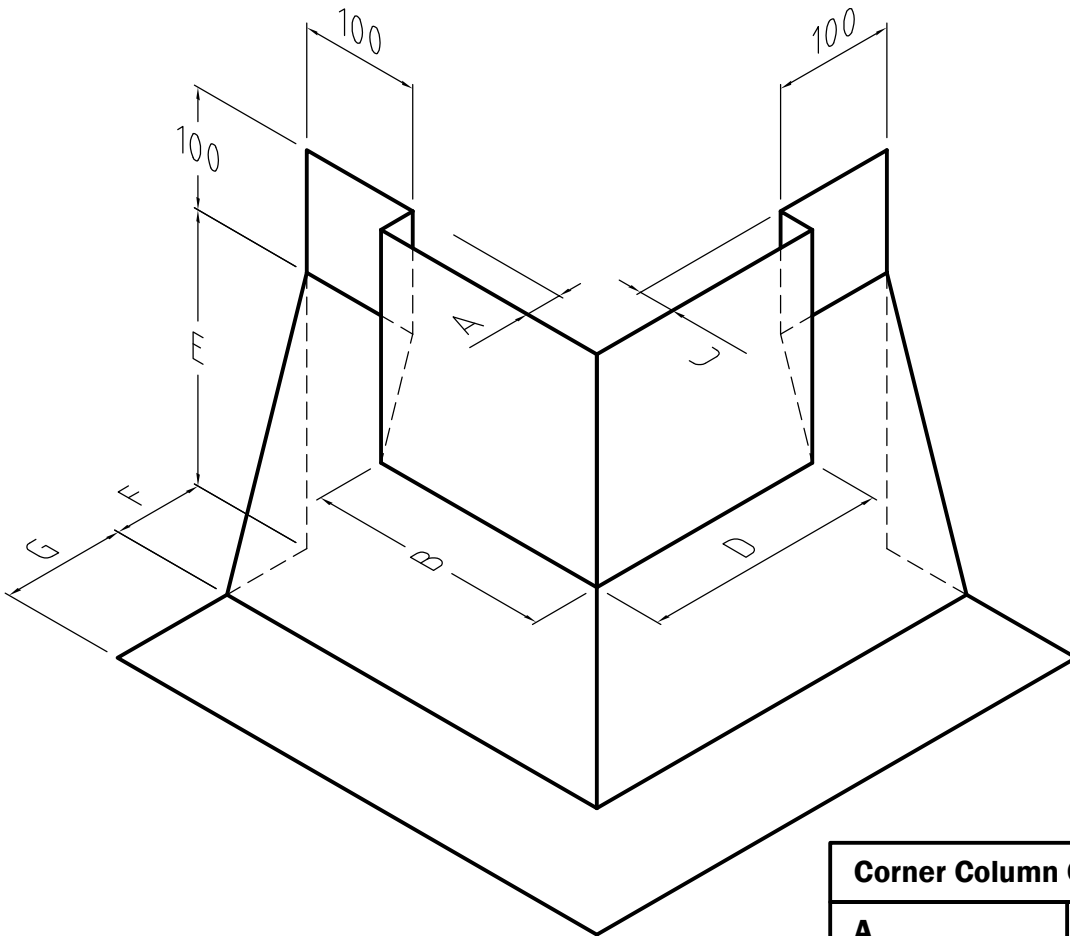


**Detail Issued For Guidance Only,
Designer's Approval Required**



Corner Column Cloak :

A	
B	
C	
D	
E	
F	
G	
Quantity	

Zedex

Ultimate

NB; DO NOT SCALE - USE FIGURED DIMENSIONS ONLY.



Visqueen

Contact Technical Support :

t : 0333 202 6800

f : 0333 202 6886

e : enquiries@visqueen.com

www.visqueen.com

Project: Standard Detail : Preformed Corner Column Cloak.

Drawing No.- PFU-530.

Date.- 12/18.

Scale.- NTS.

**© COPYRIGHT
RESERVED.**