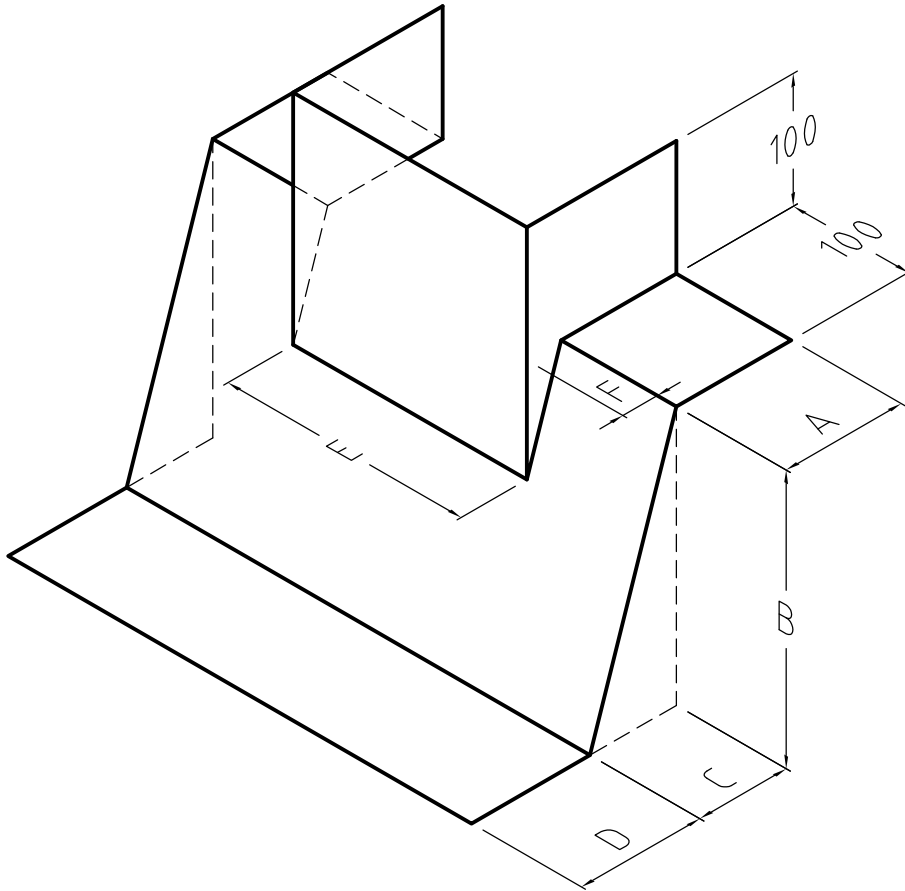


**Detail Issued For Guidance Only,  
Designer's Approval Required**



Column Cloak :	
A (Inner)	
B (Rise)	
C (Cavity)	
D (Outer)	
E (Column Width)	
F (Col. Projection)	
Quantity	

Zedex	
Ultimate	

NB; DO NOT SCALE - USE FIGURED DIMENSIONS ONLY.



**Visqueen**  
 Contact Technical Support :  
 t : 0333 202 6800  
 f : 0333 202 6886  
 e : enquiries@visqueen.com  
 www.visqueen.com

**Project: Standard Detail : Preformed Column Cloak.**

<b>Drawing No.- PFU-533.</b>	<b>Date.- 12/18.</b>	<b>Scale.- NTS.</b>	<b>© COPYRIGHT RESERVED.</b>
------------------------------	----------------------	---------------------	------------------------------