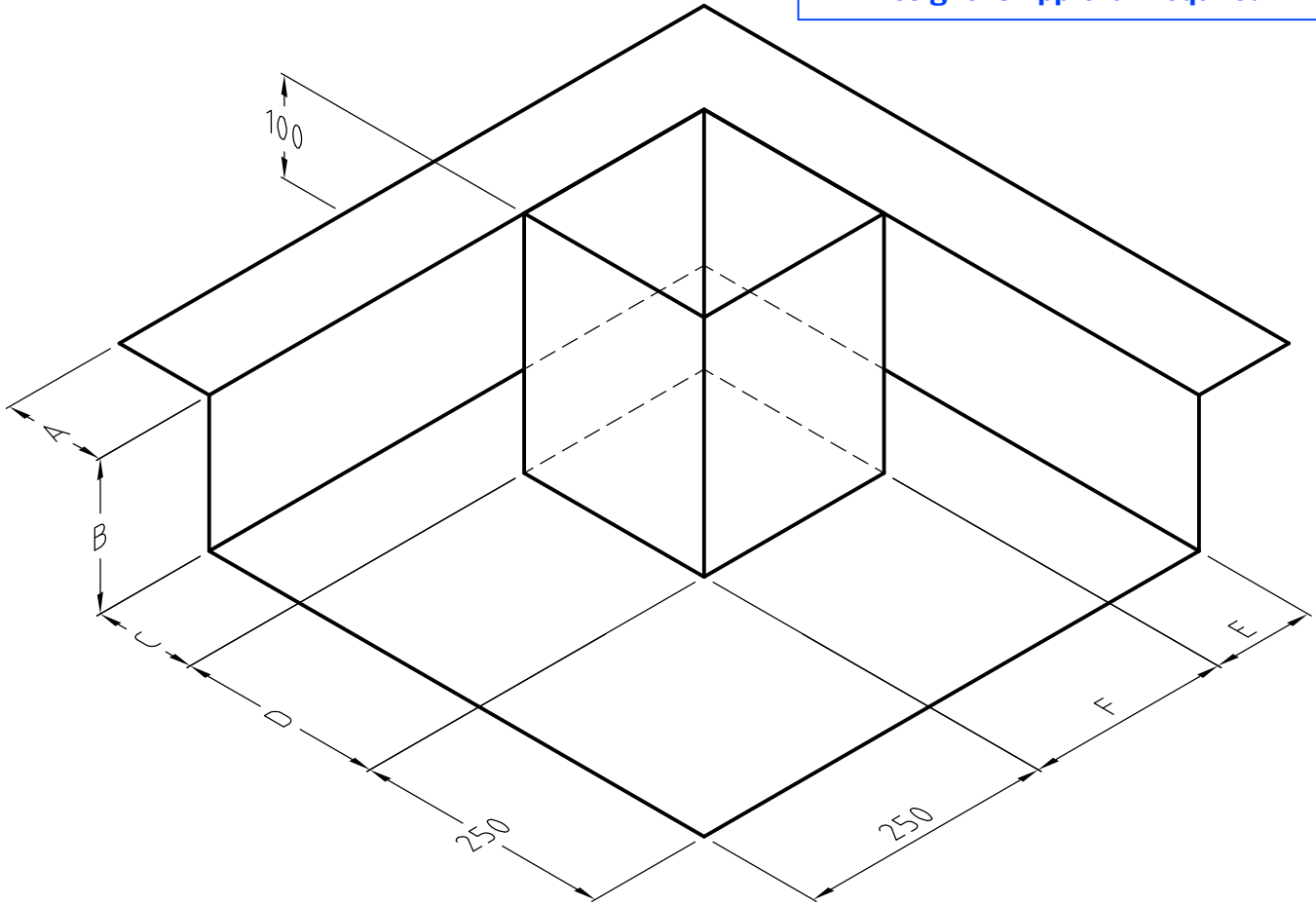


**Detail Issued For Guidance Only,  
Designer's Approval Required**



External Corner Column Gas Cloak :	
A	
B	
C (Cavity)	
D	
E (Cavity)	
F	
Quantity As	
Quantity Opp.	

Zedex	
Ultimate	

**NB; DO NOT SCALE - USE FIGURED DIMENSIONS ONLY.**



**Visqueen**  
**Contact Technical Support :**  
 t : 0333 202 6800  
 f : 0333 202 6886  
 e : enquiries@visqueen.com  
 www.visqueen.com

**Project: Standard Detail : Preformed Gas Cloak - 2 of 3.**

**Drawing No.- PFU-544.**

**Date.- 12/18.**

**Scale.- NTS.**

**© COPYRIGHT RESERVED.**