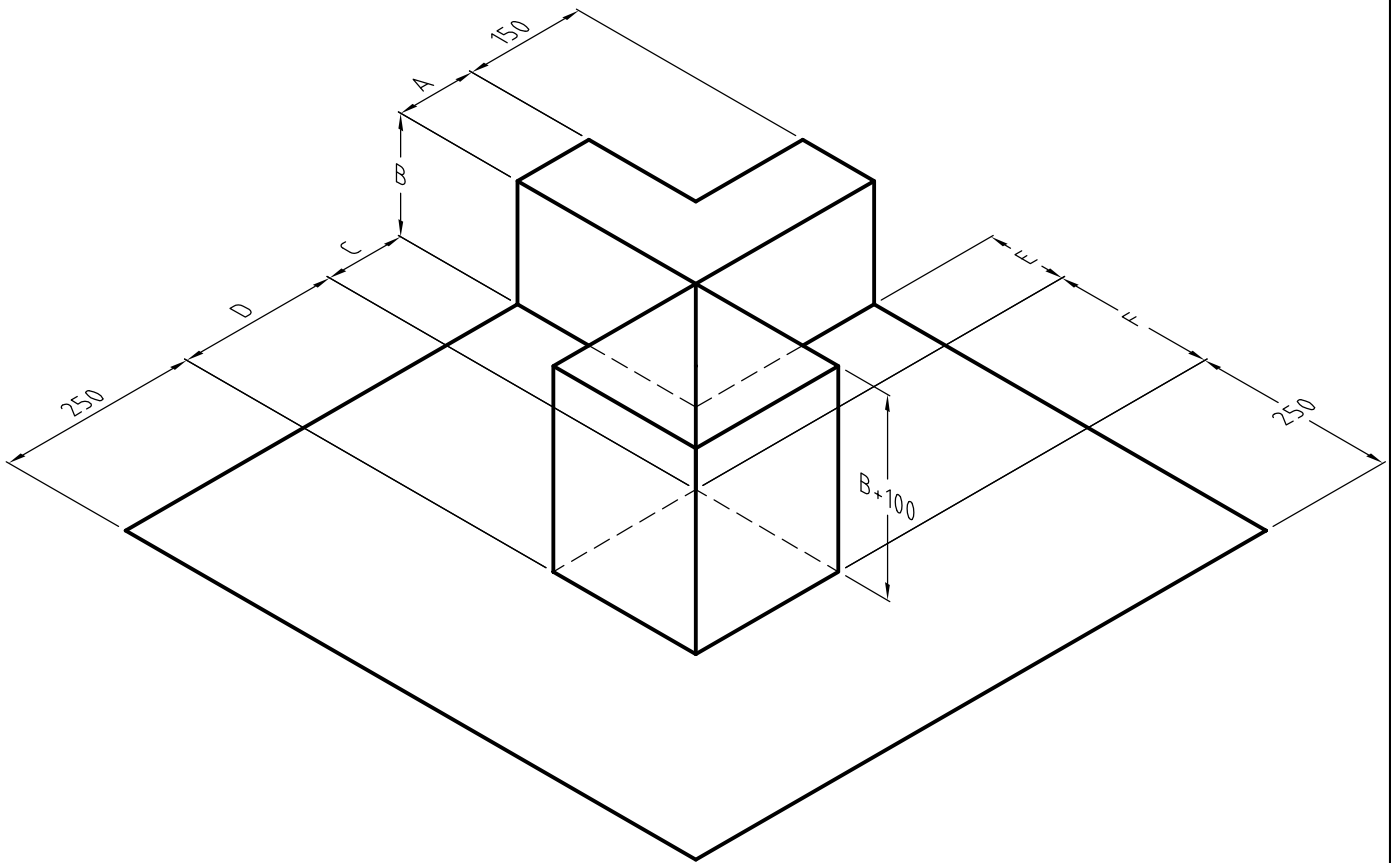


**Detail Issued For Guidance Only,
Designer's Approval Required**



Internal Corner Column Gas Cloak :	
A	
B	
C (Cavity)	
D	
E (Cavity)	
F	
Quantity As	
Quantity Opp.	

Zedex	
Ultimate	

NB; DO NOT SCALE - USE FIGURED DIMENSIONS ONLY.



Visqueen
 Contact Technical Support :
 t : 0333 202 6800
 f : 0333 202 6886
 e : enquiries@visqueen.com
 www.visqueen.com

Project: Standard Detail : Preformed Gas Cloak - 3 of 3.

Drawing No.- PFU-545.	Date.- 12/18.	Scale.- NTS.	© COPYRIGHT RESERVED.
-----------------------	---------------	--------------	-----------------------