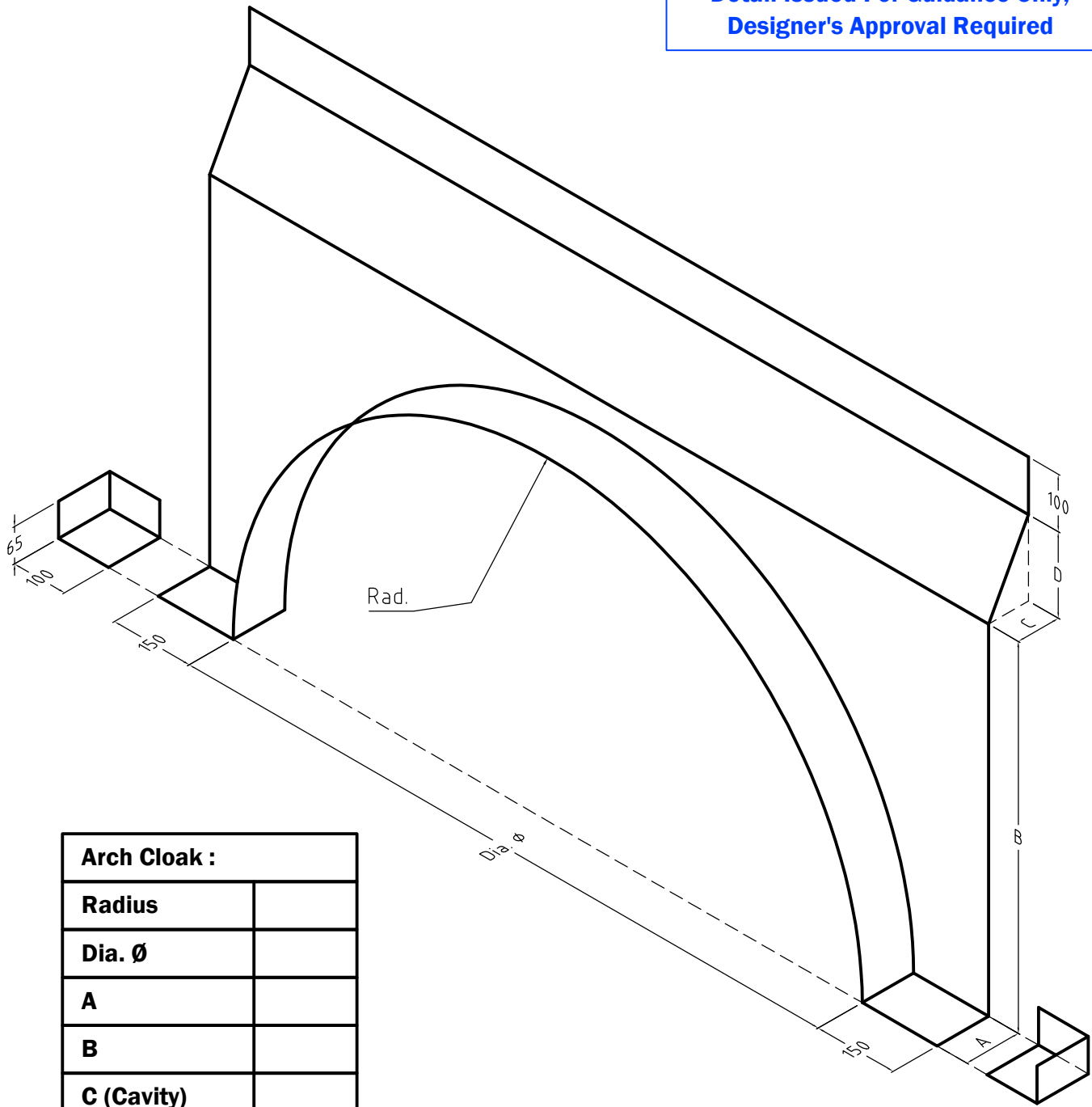


**Detail Issued For Guidance Only,
Designer's Approval Required**



Arch Cloak :	
Radius	
Dia. Ø	
A	
B	
C (Cavity)	
D	
Quantity	

NB; DO NOT SCALE - USE FIGURED DIMENSIONS ONLY.



Visqueen
Contact Technical Support :
 t : 0333 202 6800
 f : 0333 202 6886
 e : enquiries@visqueen.com
 www.visqueen.com

Project: Standard Detail : Preformed Arch Cloak.

Drawing No.- PFU-550.

Date.- 12/18.

Scale.- NTS.

© COPYRIGHT RESERVED.