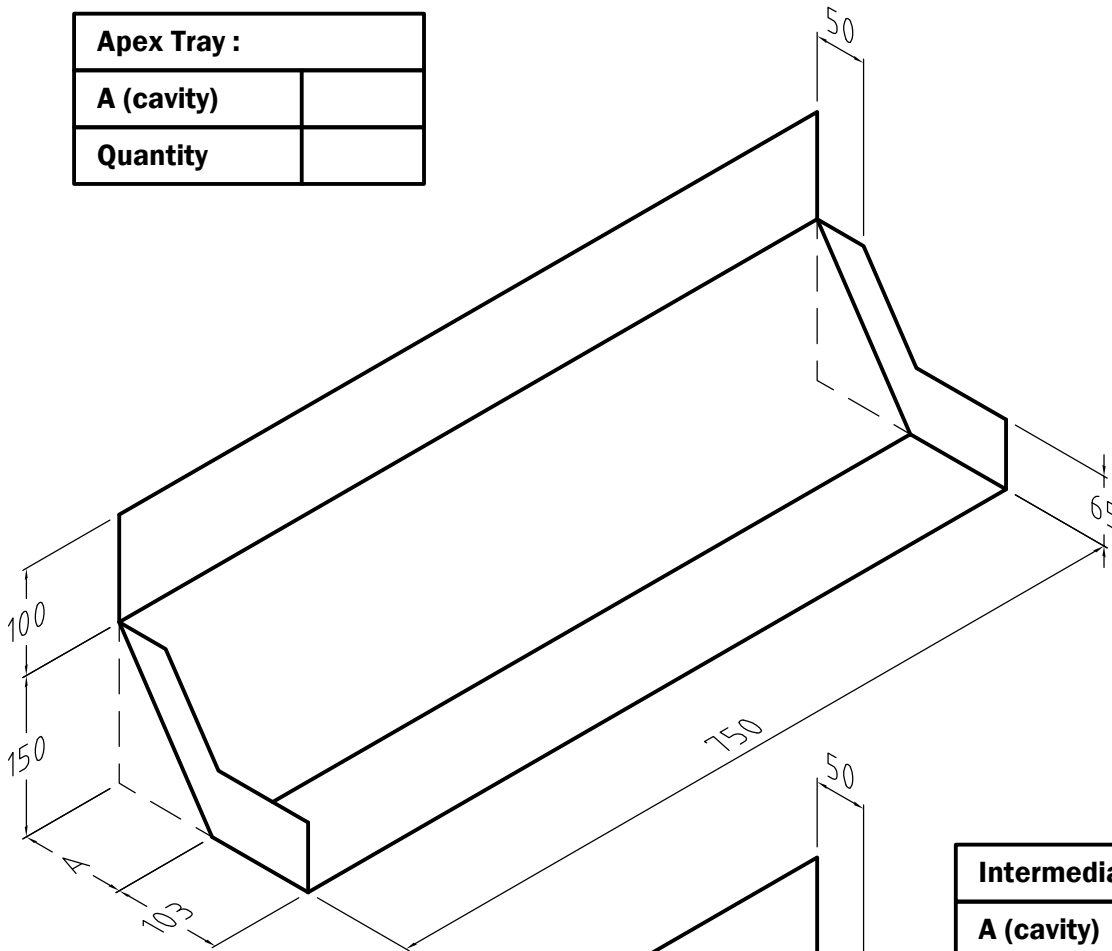
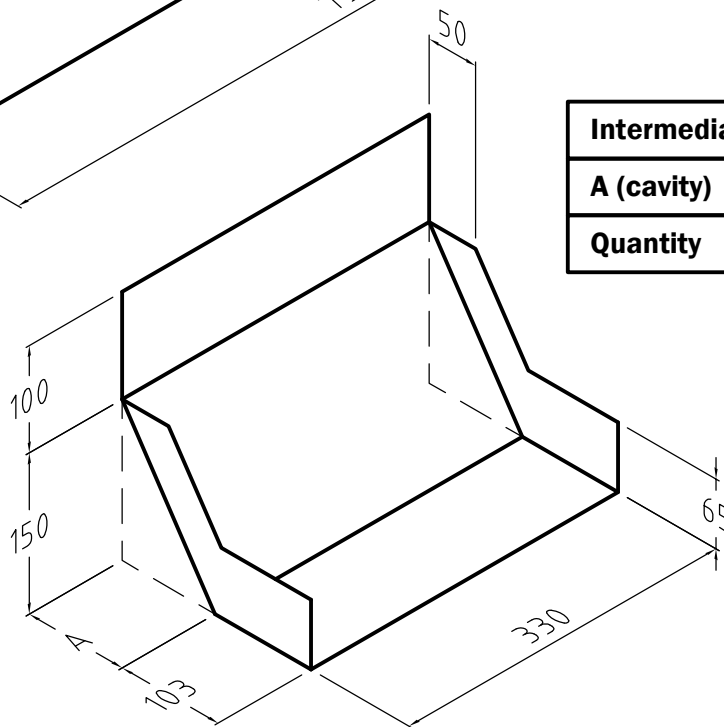


**Detail Issued For Guidance Only,
Designer's Approval Required**

Apex Tray :	
A (cavity)	
Quantity	



Intermediate Tray :	
A (cavity)	
Quantity	



**NB : Remove one stop end
on site to suit LH or RH
roof slope**

Zedex	
Ultimate	

NB; DO NOT SCALE - USE FIGURED DIMENSIONS ONLY.



Visqueen
Contact Technical Support :
 t : 0333 202 6800
 f : 0333 202 6886
 e : enquiries@visqueen.com
 www.visqueen.com

Project: Standard Detail : Preformed Pitched Roof Abutment Cavity Trays.

Drawing No.- PFU-552.

Date.- 12/18.

Scale.- NTS.

**© COPYRIGHT
RESERVED.**