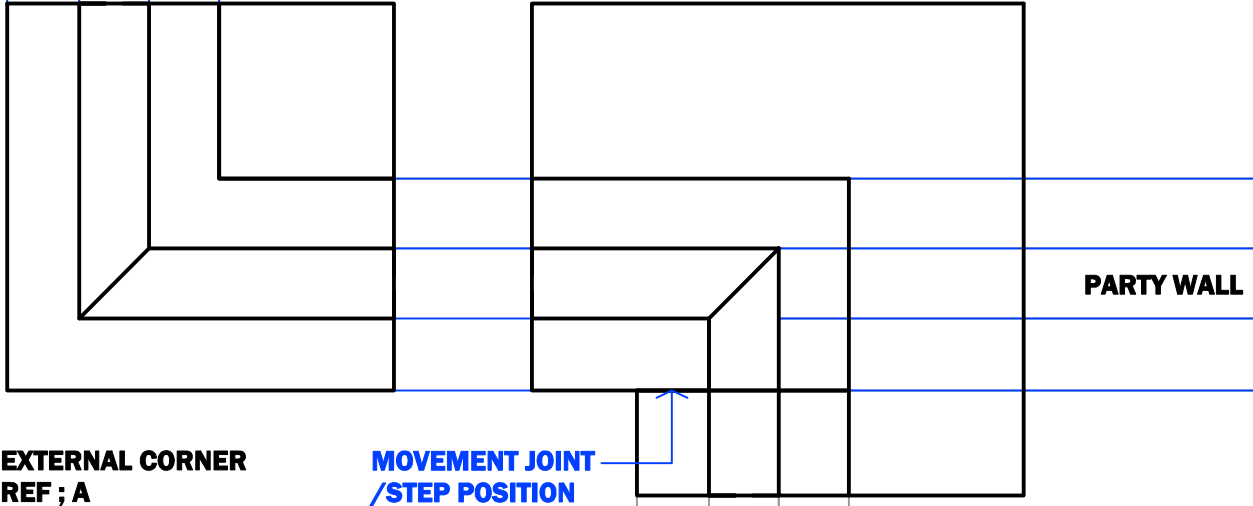


Detail Issued For Guidance Only,  
Designer's Approval Required

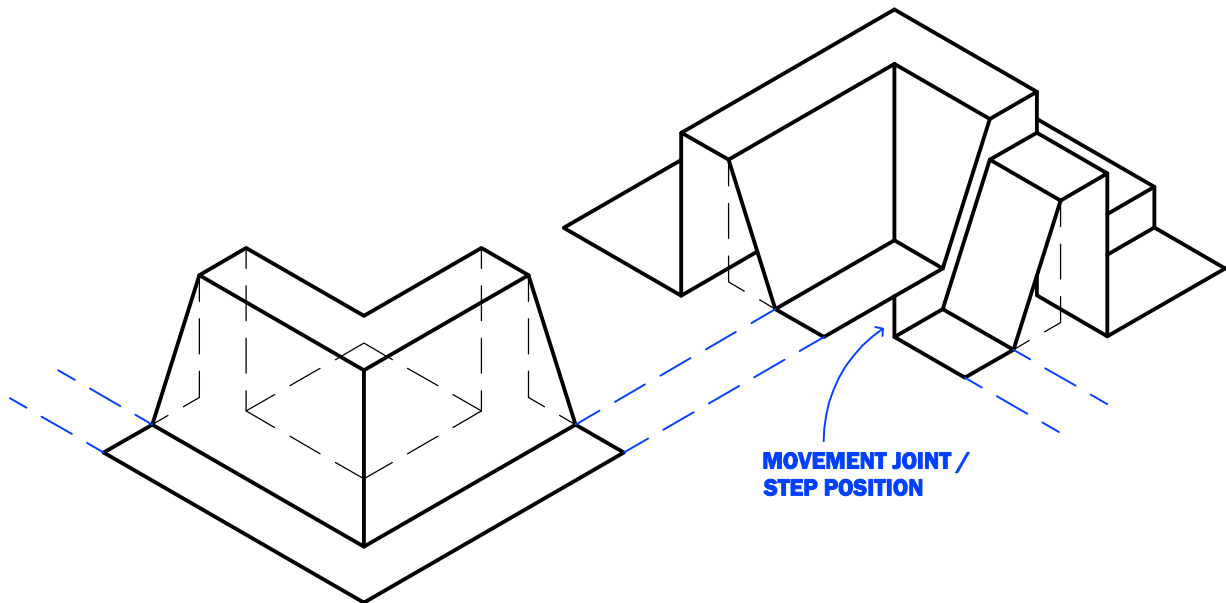
# HOUSE TYPE 1

STEPPED INTERNAL CORNER  
REF ; B



PLAN

# HOUSE TYPE 2



ISOMETRIC

Zedex

Ultimate

NB; DO NOT SCALE - USE FIGURED DIMENSIONS ONLY.

# VISQUEEN

# PREFORMED UNIT

Visqueen

Contact Technical Support :

t : 0333 202 6800

f : 0333 202 6886

e : enquiries@visqueen.com

www.visqueen.com

Project: Standard Detail : Preformed Cloaks At Stepped/Staggered Corner.

Drawing No.- PFU-556.

Date.- 12/18.

Scale.- NTS.

© COPYRIGHT  
RESERVED.