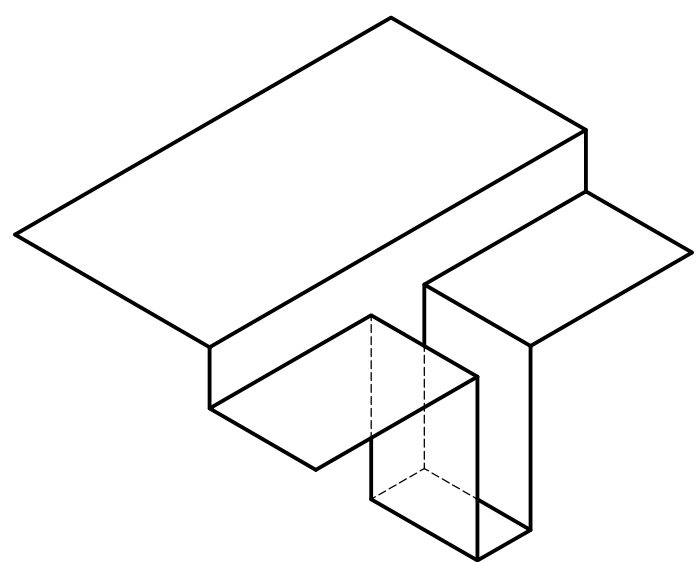
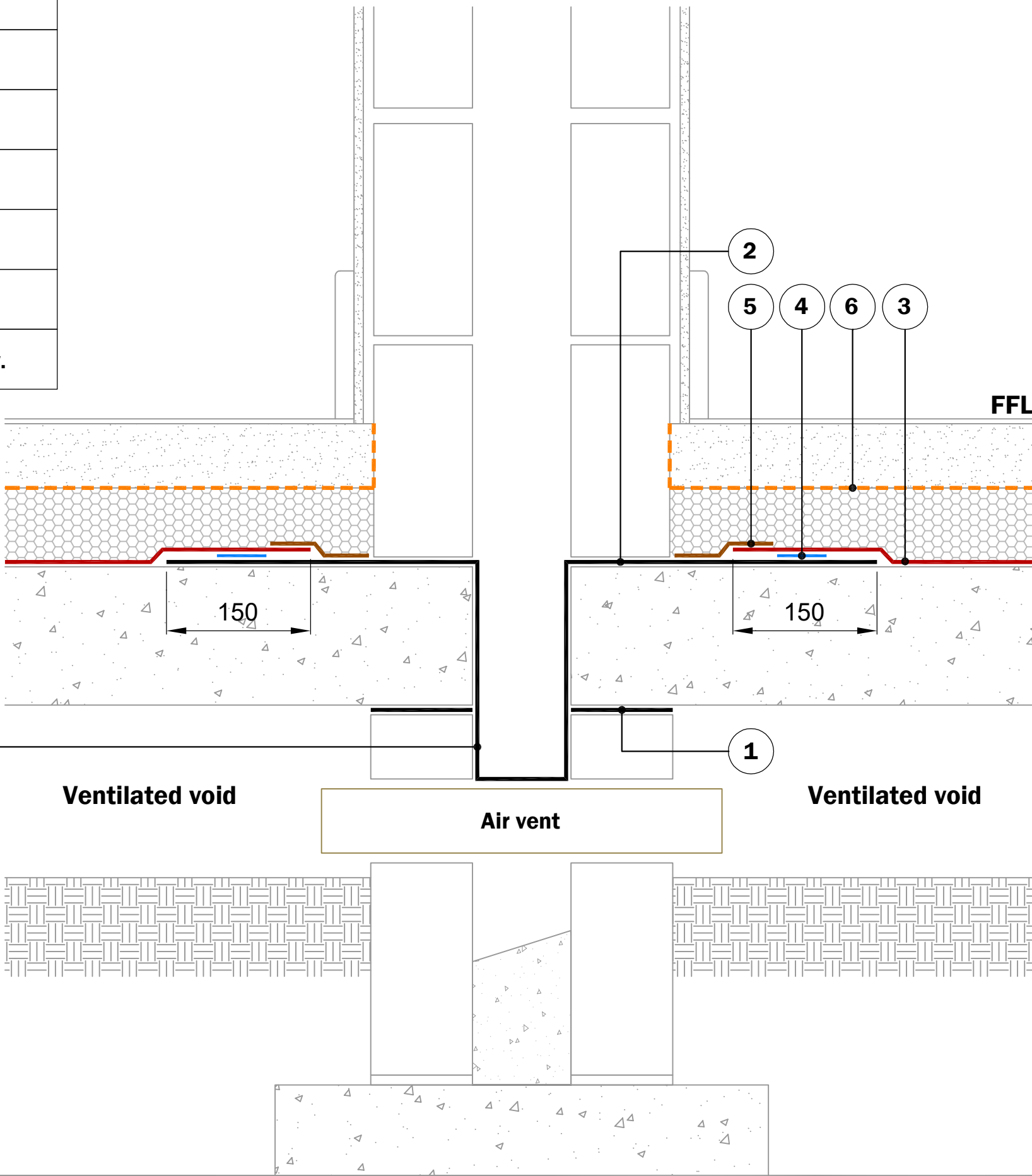


KEY TO MATERIALS :-

1	Visqueen Zedex CPT DPC.
2	Visqueen Zedex CPT DPC.
3	Visqueen Radon R400 Membrane.
4	Visqueen Double Sided Tape (10m x 50mm).
5	Visqueen Pro Single Sided Tape.
6	Visqueen Vapour Barrier or HP Vapour Barrier.



**Preformed Party Wall
Stop End - See Visqueen
Standard Detail PFU-224**

© Copyright reserved. This drawing may not be reproduced or amended without prior written permission.

Detail issued for Guidance Only. Designer's Approval Required.

Site construction sequencing should be assessed before the appropriate Visqueen Standard Detail is selected & approved by the Designer.

In order to develop a robust design for protecting a structure against groundwater, a Risk Assessment must be carried out in line with the guidance given in BS8102:2009.

The Designer may need to specify one or a combination of waterproofing measures.

All Visqueen materials must be installed in strict accordance with the manufacturer's instructions. Refer to the current Visqueen datasheets.

Do Not Scale - Use Figured Dimensions Only.

Standard Detail



www.visqueen.com

Scale : NTS

Date : Dec.2018

Drawing No : RAD-10



**Typical Internal Cavity Wall Detail,
Gas Resistant DPC - Robust Detail.**

VISQUEEN
0333 202 6800
www.visqueen.com
enquiries@visqueen.com