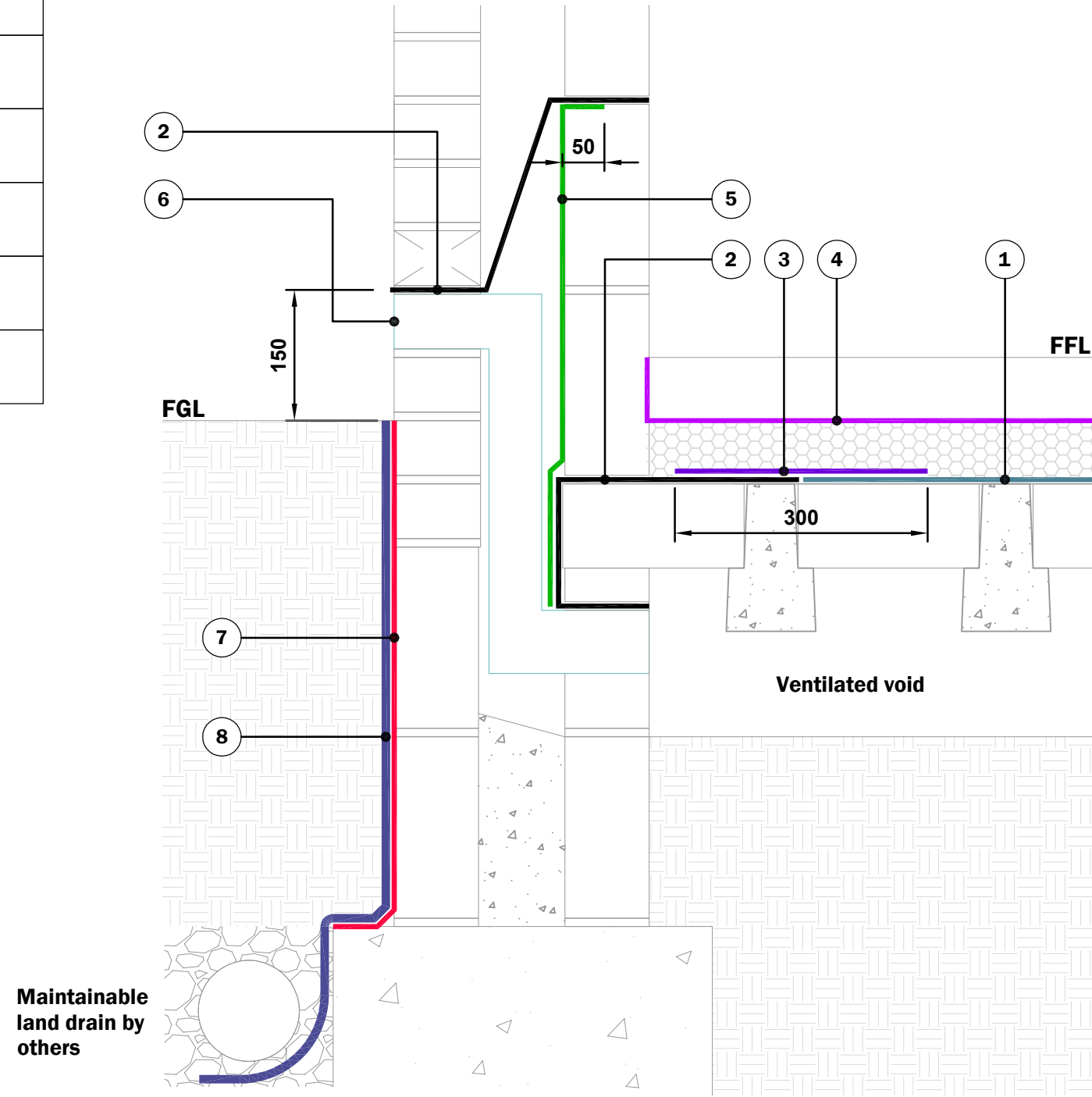


KEY TO MATERIALS :-

1	Visqueen HP DPM or Visqueen Radon R400 Membrane.
2	Visqueen Zedex CPT DPC.
3	Visqueen Pro 300mm Detailing Strip.
4	Visqueen Vapour Barrier.
5	Visqueen GR SAM on Visqueen HP Tanking Primer.
6	Telescopic vent.
7	Visqueen Axiom Guard on rendered substrate.
8	Visqueen Protect&Drain (12mm).



© Copyright reserved. This drawing may not be reproduced or amended without prior written permission.

Detail issued for guidance only. Designer's approval required.

Site construction sequencing should be assessed before the appropriate Visqueen Standard Detail is selected & approved by the Designer.

All Visqueen materials must be installed in strict accordance with the manufacturer's instructions. Refer to the current Visqueen datasheets.

DPCs and DPC cavity trays to be installed in accordance with BS8215:1991 and PD6697:2019.

Do not scale, use figured dimensions only. All figured dimensions are in mm.

Standard Detail



www.visqueen.com

Scale : NTS

Date : June.2020

Drawing No : SW-NHBC-04



**Typical Detail - Suspended Floor.
FFL At or Above FGL.**

VISQUEEN
0333 202 6800
www.visqueen.com
enquiries@visqueen.com