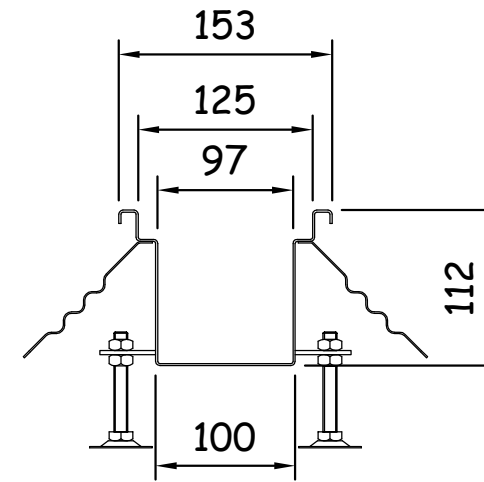
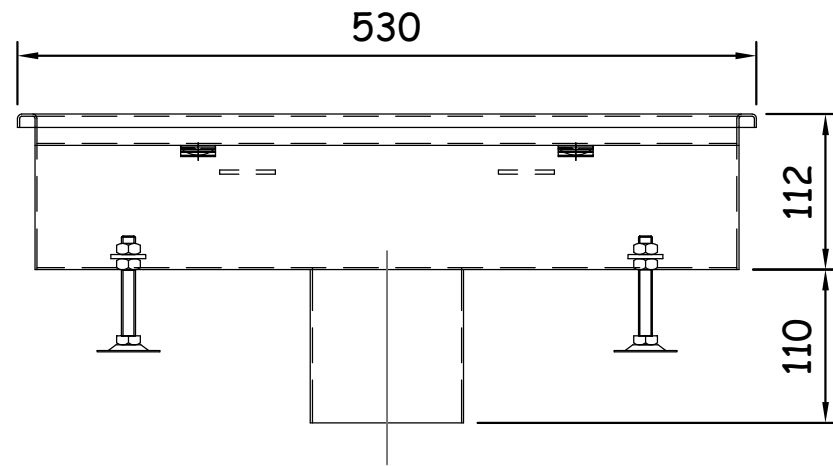


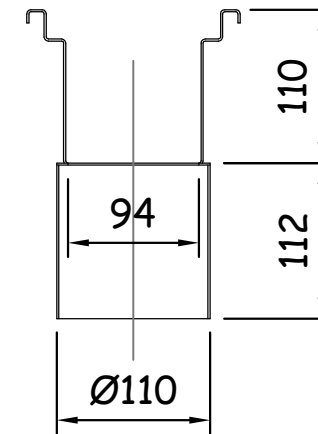
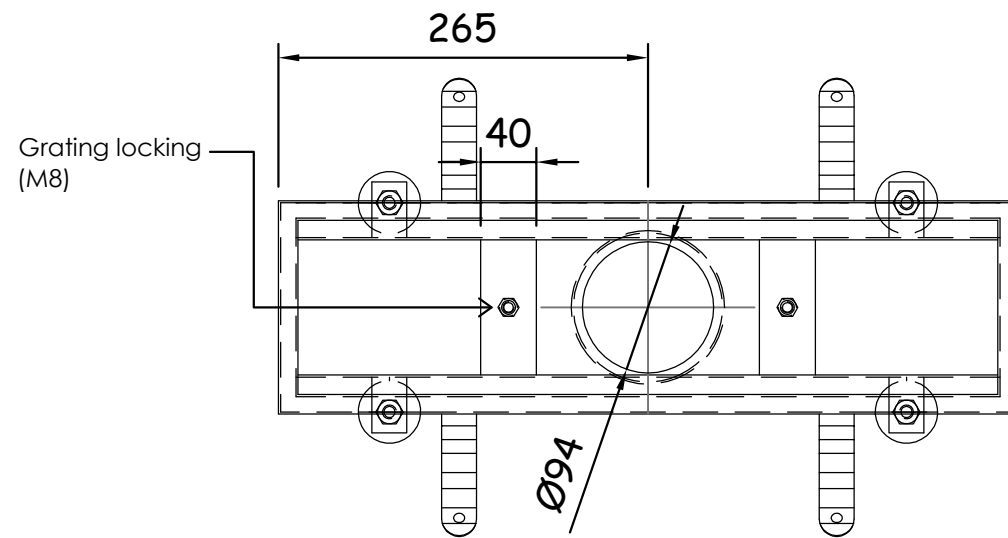
© Copyright reserved. This drawing may not be reproduced or amended without prior written permission.

Side Elevation



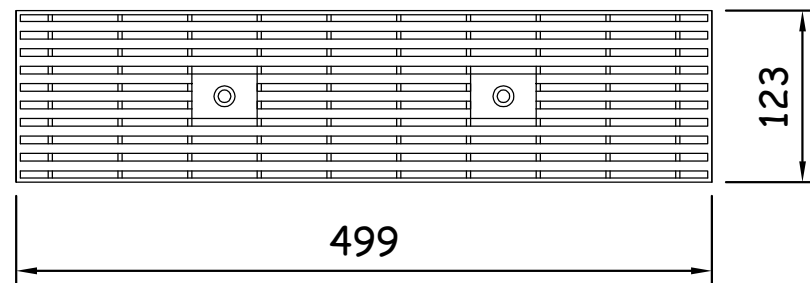
Cross Section Through Gas Vent Box

Plan

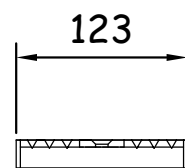


Section Through Outlet

Plan : Grating



Section : Grating



Detail issued for Guidance Only. Designer's Approval Required.

Site construction sequencing should be assessed before the appropriate Visqueen Standard Detail is selected & approved by the Designer.

In order to develop a robust design for protecting a structure against groundwater, a Risk Assessment must be carried out in line with the guidance given in BS8102:2009.

The Designer may need to specify one or a combination of waterproofing measures.

All Visqueen materials must be installed in strict accordance with the manufacturer's instructions. Refer to the current Visqueen datasheets.

Do Not Scale - Use Figured Dimensions Only.

Standard Detail



www.visqueen.com

Scale : NTS

Date : June.2020

Drg No : VENT-02

STAINLESS STEEL OPTION



**VisqueenPRO Gas Vent Box :
Stainless Steel Option.**

VISQUEEN
0333 202 6800
www.visqueen.com
enquiries@visqueen.com